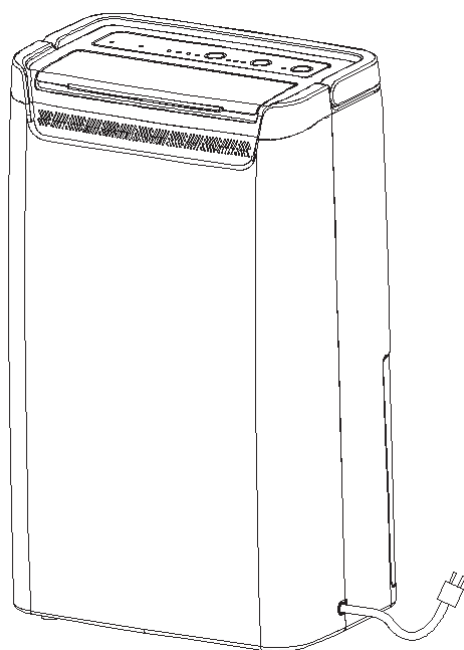


TÖYÖTÖMI

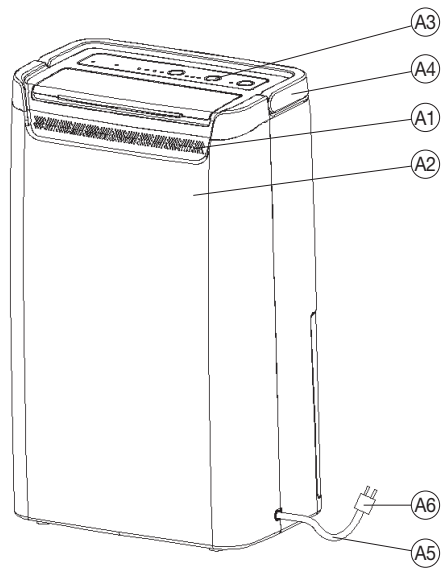


TD-C210

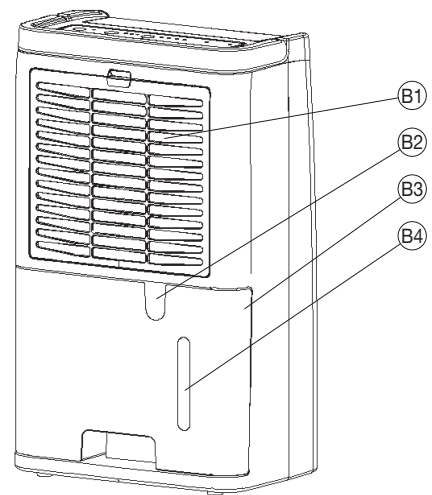
COMPRESSOR TYPE DEHUMIDIFIER
DÉSHUMIDIFICATEUR D’AIR
LUFTENTFEUCHTER
LUCHTONTVOCHTIGER
DEUMIDIFICATORE
DESHUMIDIFICADOR
DESUMIDIFICADOR
AFFUGTER
LUFTAVFUKTARE AV
KOMPRESSORTYP

OPERATING MANUAL	ENGLISH	P. 1
MANUAL D’UTILISATION	FRANÇAIS	P. 5
BEDIENUNGSANLEITUNG	DEUTSCH	P. 9
GEBRUIKSAANWIJZING	NEDERLANDS	P.13
MANUALE DI ISTRUZIONI	ITALIANO	P.17
MANUAL DE INSTRUCCIONES	ESPAÑOL	P.21
MANUAL DE INSTRUÇÕES	PORTUGUÊS	P.25
BETJENINGSVEJLEDNING	DANSK	P.29
BRUKSANVISNING	SVENSKA	P.33

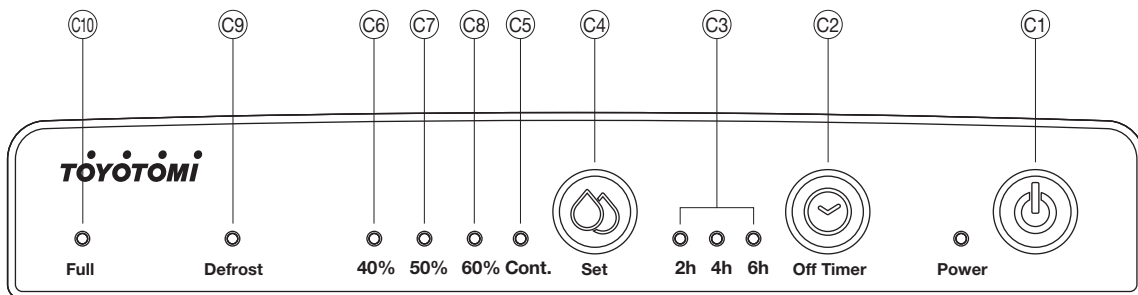
A



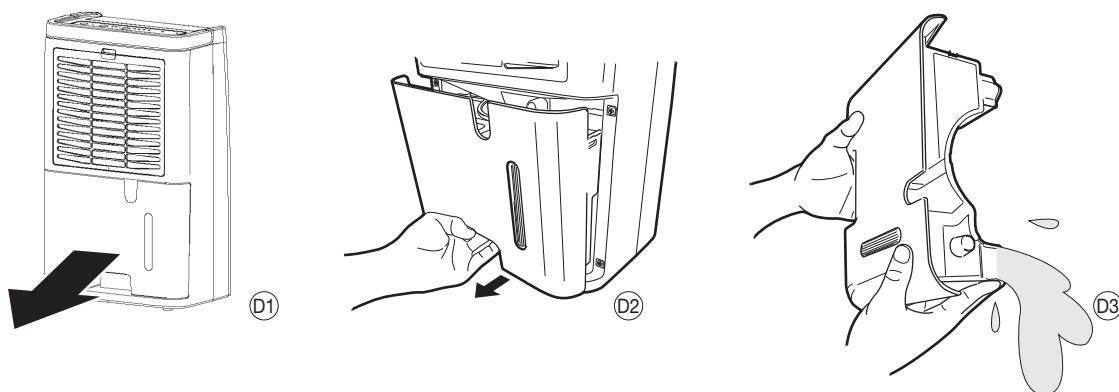
B



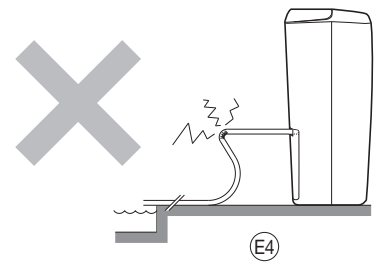
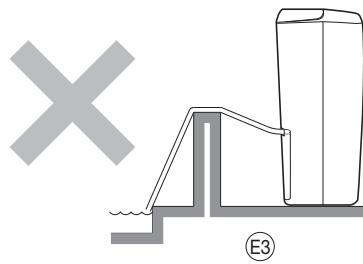
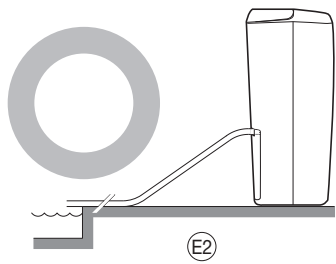
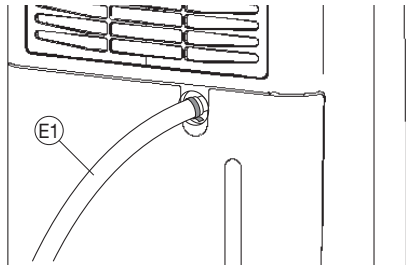
C



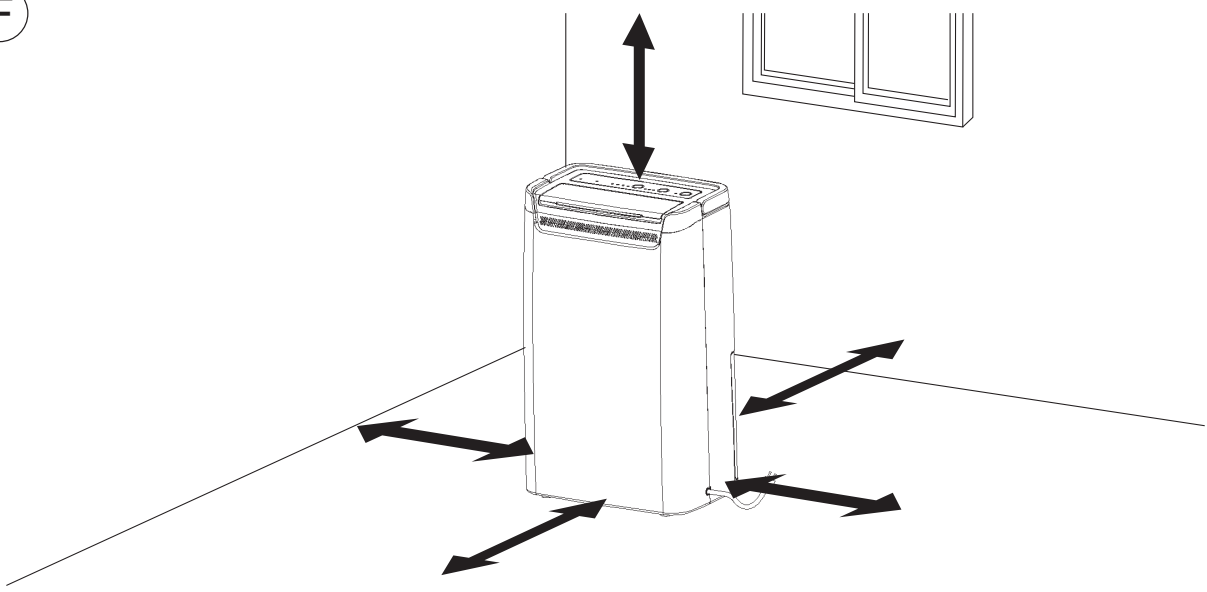
D



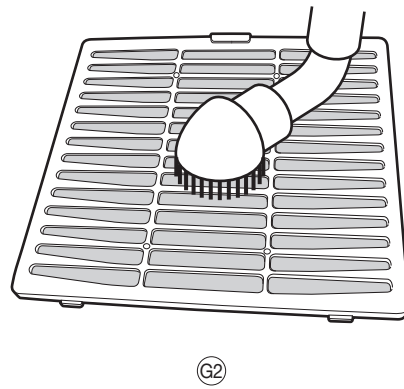
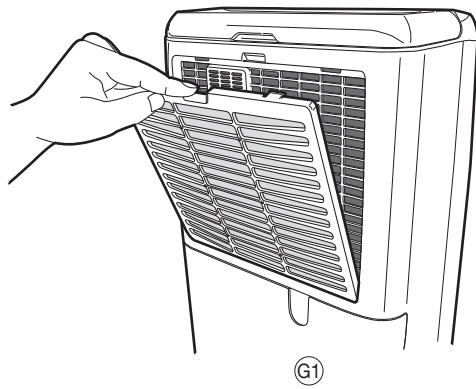
E



F



G



SUMMARY

The idea behind the unit is a localized dehumidification. The unit will greatly enhance your personal comfort whether at a work office, bathroom or even in your favorite closet.

It dries the air so that you can stay comfortable even when it's humid or rainy outside. Also your furnishings, fabrics and clothes are kept in good condition, and it is easy to dry your laundry and dry it quickly.

This unit creates dry air zone anywhere you need it. It means that it does not waste energy drying the surroundings.

It's easy to operate. Once you set your desired level of relative humidity from 60% to 40%, the built-in humidistat allows the room humidity to be controlled automatically.

By connecting the commercially available hose to the unit, you can use it as continuous drainage mode. This is especially convenient for using in the outside such as garage.

OPERATIONAL FEATURES

1. DEHUMIDIFYING OPERATION:

This unit takes in the humidity and dry air is directed out from the air outlet by the compressor.

2. AUTOMATIC OPERATION:

Once the desired function has been set, it is memorized as long as it remains connected to the wall outlet. In the event of a power failure, the desired function must be re-entered when power is restored.

3. HUMIDITY CONTROL:

The compressor will automatically shift to ON or OFF to maintain the desired humidity.

4. AUTOMATIC SHUT-OFF MECHANISM WHEN THE DRAIN TANK IS FULL:

When the drain tank is full, the unit will be automatically shut off. The "FULL" lamp will light. It will resume operation after the condensed water is removed from the tank.

5. AIR FILTER:

A pre-filter protects the unit from dust.

1. DESCRIPTION

Fig. A FRONT

- A1 Air outlet
- A2 Front panel
- A3 Operation panel
- A4 Carrying handle
- A5 Power supply cord
- A6 Power plug

Fig. B REAR

- B1 Air intake
- B2 Drain water outlet for continuous drain operation
- B3 Water tank
- B4 Water gauge

Fig. C OPERATION PANEL

- C1 Power button
- C2 Off timer button
- C3 Timer indicator lamp (2, 4, 6 hours)
- C4 Humidity setting button
- C5 Cont. lamp (Continue lamp)
- C6 40% humidity setting lamp
- C7 50% humidity setting lamp
- C8 60% humidity setting lamp
- C9 Defrost lamp
- C10 Full lamp

(When the tank filled up with water, the lamp will light)

Fig. E CONTINUOUS DRAINAGE

- E1 Drainage hose

2. SAFETY TIPS

IMPORTANT

- Read instructions carefully before operation.
- The unit should be operated when the room temperature is between 5°C to 35°C. If the room temperature is below 5°C, ice may form on the coils. If the room temperature is above 35°C, the compressor will automatically shut off to protect itself.
- ALWAYS, wait 3 min. to restart after turning unit off.

⚠ WARNING

- NEVER expose infants, handicapped persons, or senior persons directly to the airflow. Adjust the airflow direction.
- Keep children away from unit. Children are particularly liable to this danger. The inside fan is running at high speed. Covering them may deteriorate dehumidifier performance or cause it to become inoperative.
- NEVER insert objects of any kind into the air intake or air outlet.
- DO NOT unplug or plug in if your hands are wet. An electrical shock may occur.
- DO NOT operate in a wet location.
- ALWAYS plug into 220-240V, 50Hz, single phase electrical outlet.
- Be sure the power plug fits the receptacle securely.
- DO NOT run power cord under carpets, rugs, or floor mats of any kind.
- DO NOT attempt to shorten or alter power cord in any way.
- DO NOT apply any excessive force or pressure to the power supply cord.
- Make sure that the plug is free of dust.
- DO NOT use an extension cord.
- DO NOT use multiple power points.
- DO NOT turn on and off by inserting or removing the power plug, which may cause electric shock or fire.
- If there is a fear of lightning, stop the unit and disconnect the power supply cord.
- DO NOT touch the evaporator, condenser and pipes.
- DO NOT operate with filter removed.
- If the power cord on this unit is damaged, it must be replaced by the manufacture, its service agent or qualified persons in order to avoid a hazard.
- This appliance can be used by children aged from 8 years and above and persons with reduced physical, sensory or mental capabilities or lack of experience and knowledge if they have been given supervision or instruction concerning use of the appliance in a safe way and understand the hazards involved.
- Children shall not play with the appliance.
- Cleaning and user maintenance shall not be made by children without supervision.
- The appliance shall not be installed in the laundry.
- The appliance shall be installed in accordance with national wiring regulations.

⚠ CAUTION

- Ensure there is 30 cm of clear space on all sides of the unit. (Fig. F)
- Remove drain water before moving unit.
- To minimize corrosion, DO NOT use in damp, salty air area.
- DO NOT operate in direct sunlight.
- DO NOT use for such particular purpose as preservation of foodstuff, animals, plants, precision appliances, arts and medicine.
- DO NOT place an animal, plants or combustion equipment in a place which is subjected to the direct air flow of the unit.
- DO NOT ride or place the objects on the unit.
- DO NOT turn the product on its side or upside down.



- Waste electrical products should not be disposed with household waste.
- Please recycle where facilities exist. Check with your local authority or retailer for recycling advice.

3. OPERATION**OPERATING STEPS:****1. CONNECT POWER PLUG (A6) TO POWER SOCKET.**

Make sure the water tank (B3) is placed in proper position, and then connect to the power socket.

If the tank is not in proper position, the FULL lamp (C10) will light after plug on. If FULL lamp lights at the first time, please pull out the tank once and push it back to the proper position.

2. PRESS POWER BUTTON (C1) TO ON.**3. PRESS THE HUMIDITY SETTING BUTTON (C4)**

Press the humidity setting button (C4) to select your desired humidity mode.

By pressing the humidity setting button, the indication lamp will shift to:

“Continuous” (C5) → “40%” (C6) → “50%” (C7) → “60%” (C8) → “Continuous” (C5),

and your desired humidity mode can then be selected.

When the desired humidity level is set at “Continuous-mode” (C5), the unit will keep dehumidifying.

When the humidity level is set at “40%”, “50%”, or “60%”, the unit will stop at this set humidity.

PLEASE NOTE: When the unit has measured the set humidity level, the compressor will stop, but the fan will keep running to circulate the surrounding air, and thereby continue measuring the humidity level in the surrounding room.

4. TIMER OPERATION

Press off timer button (C2) to set the working hour of units 2h → 4h → 6h → No timer.

5. PRESS POWER BUTTON (C1) TO OFF.**4. EMPTY THE WATER TANK (Fig.D)**

When the water tank is full, the full lamp (C10) will light and the compressor will stop automatically. This will also stop the dehumidification process.

- Empty the water tank and replace it in the correct position. (D2, D3) The dehumidifier will continue dehumidifying when the compressor automatically starts after three minutes.

5. CONTINUOUS DRAINAGE WATER (Fig. E)

If desired, it possible to connect the drainage hose (E1) to the device for permanent water drainage. Connect the drainage hose to the drain spout and ensure that the end of the hose is lower than the drain opening, otherwise the water will not drain and flooding may occur. (E2, E3, E4).

6. DEFROSTING

When the machine is in the environment of low temperature during operation, the surface of the evaporator may frost. In order to ensure the normal operation of the machine, machine is provided with an automatic defrosting function.

7. MAINTENANCE & CLEANING

For its casing is made of plastic, do not place it in direct sunlight.

Remove the water tank with care.

If not using the unit for a long time. Please switch off and unplug the unit, empty the water reservoir, and pack it after 2 days, then, keep it in dry and ventilated place.

Only use a soft clean cloth for all cleaning purpose. Do not use gasoline, paint thinner or other chemicals to clean the unit.

Cleaning mesh filter: To remove the filter in arrow direction (G1). Use a vacuum cleaner or water to clean (G2), then put it in ventilated place until it's dry.

⚠ WARNING

- DO NOT touch the evaporator. It may cause injury or damage.

⚠ CAUTION

- DO NOT use over 40°C hot water. The plastic part may be deformed.
- Disconnect the power supply before cleaning and maintenance.

CLEANING SURFACE

Clean the outside of the product with a soft damp cloth.

8. TRANSPORTATION

Preferably keep the unit in the vertical position during transportation. If it is necessary to place the unit in a horizontal position more than 1/2 hour, ALLOW IT TO REMAIN UPRIGHT FOR 24 HOURS BEFORE OPERATION. Failure to do so may result in damage to the compressor. Before transporting / moving the unit make sure the drain tank is empty.

9. TROUBLE SHOOTING

Check the following before contacting technical support:

Problem	Cause	Solution
The unit does not work.	The power is not connected.	Insert the plug into the wall outlet.
The device does not dehumidify.	The water tank is full.	Remove the water from the container.
	The water tank has not been replaced correctly.	Place the water tank in the correct position.
	The air filter is clogged.	Clean the air filter.
	The temperature or relative humidity in the room where the device operating is too low.	It is normal that the device does not dehumidify in these conditions.
The dehumidifier works, but reduces the relative humidity insufficiently.	The room is too large.	We recommend using a dehumidifier with a greater capacity.
	There are too many sources of humidity.	We recommend using a dehumidifier with a greater capacity.
	There is too much ventilation.	Reduce ventilation (e.g. close windows and shut doors.)

BEFORE CALLING FOR SERVICE

The following are not defects.

A hissing noise or hollow sound:	⇒	This sound is generated from the refrigerant flowing within pipes.
A squeaking noise:	⇒	This noise is generated from the unit when it expands or contracts with temperature changes.
Odor:	⇒	Such odor as tobacco, cosmetics, or foods may accumulate in the unit.
The unit does not start nor change operation immediately:	⇒	To prevent overloading the compressor motor, the unit will be stopped for more than 3 minutes.

10. SPECIFICATIONS

MODEL	TD-C210
DEHUMIDIFYING CAPACITY	10 L/day (30°C, 80%RH)
POWER SOURCE	Single Phase 220-240V/50Hz
POWER CONSUMPTION	210 W
OPERATING CURRENT	0.95 A
OPERATING TEMP. RANGE	5°C ~ 35°C
DIMENSIONS (W×H×D)	290 × 478 × 190 mm
WEIGHT	8.6kg
COMPRESSOR	ROTARY
REFRIGERANT	R-134a / 92g
GWP	1430

NOTE: Dehumidifying capacity will vary according to temperature and humidity of the room.

CONTAINS FLUORINATED GREENHOUSE GASES COVERED BY THE KYOTO PROTOCOL.

HERMETICALLY SEALED SYSTEM

GWP information (according to (EC) No 517 / 2014

LIMITED WARRANTY

TOYOTOMI CO., LTD. ("TOYOTOMI") warrants each product and any parts thereof sold by it to be free from defects in materials or workmanship under normal use and service for TWENTY FOUR (24) MONTHS from the date of delivery to the original purchaser at retail subject to the following terms and conditions:

WHAT IS COVERED: Product or any parts thereof which are defective in materials or workmanship.

WHAT IS NOT COVERED:

This warranty does not extend to any defect due to the negligence of others; failure to install, operate or maintain unit in accordance with instructions (operating and maintenance instructions are furnished with each new unit); unreasonable use, accidents, alteration, use of unauthorized or non-standardized TOYOTOMI parts and accessories; electrical malfunction, i.e., as resulting from large power surges, short circuit, etc.; incorrect installation; or repair by anyone other than a service facility specified by TOYOTOMI.

WHO IS COVERED: The original purchaser at retail.

WHAT WE WILL DO: TOYOTOMI will either repair or replace, at its opinion, all defective parts free of charge that are covered by this limited warranty on a carry-in basis, to your nearest authorized dealer or distributor of TOYOTOMI.

WHAT YOU MUST DO FOR WARRANTY SERVICE: You must return the defective Product or part to any authorized dealer or distributor of TOYOTOMI with this LIMITED WARRANTY. If service is not available locally, please contact our CUSTOMER RELATIONS DEPARTMENT at:

TOYOTOMI EUROPE SALES B.V.

E-MAIL: info@toyotomi.eu

INTERNET: www.toyotomi.eu

THE FOREGOING EXPRESS ALL OF TOYOTOMI'S OBLIGATIONS AND LIABILITIES WITH RESPECT TO THE QUALITY OF PRODUCT FURNISHED BY IT. ALL OTHER WARRANTIES, EXPRESSED OR IMPLIED, INCLUDING THE WARRANTIES OF MERCHANTABILITY OR FITNESS FOR A PARTICULAR PURPOSE ARE DISCLAIED. TOYOTOMI SHALL NOT BE LIABLE FOR THE LOSS OF USE OF THE PRODUCT, INCONVENIENCE, LOSS OR ANY OTHER DAMAGES, DIRECT OR CONSEQUENTIAL ARISING OUT OF, THE USE OF, OR INABILITY TO USE, THE PRODUCT OR DAMAGES RESULTING FROM OR ATTRIBUTABLE TO DEFFECTS IN THE PRODUCT.

No other than TOYOTOMI has authority to extend or modify the terms of this Limited Warranty in any manner whatsoever.

Some states do not allow the exclusion or limitation of incidental or consequential damages or limitations on how long an implied warranty lasts, so these limitations or exclusions may not apply to you. This Limited Warranty gives you specific legal rights and you may also have other rights which vary from state to state.

TOYOTOMI CO., LTD.
5-17, Momozono-cho, Mizuho-ku,
Nagoya, 467-0855 Japan