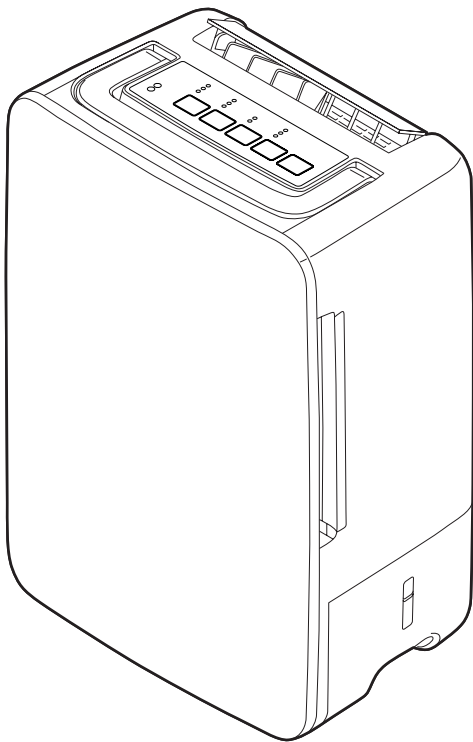


TÖYÖTÖMI



TD-ZB80

DESICCANT TYPE DEHUMIDIFIER

**DESHUMIDIFICATEUR D'AIR À
ADSORPTION**

ADSORPTIONSTROCKNER

**ADSORPTIE
LUCHTONTVOCHTIGER**

**DEUMIDIFICATORE CON
COMPRESSORE**

**DESHUMIDIFICADOR
DESECANTE**

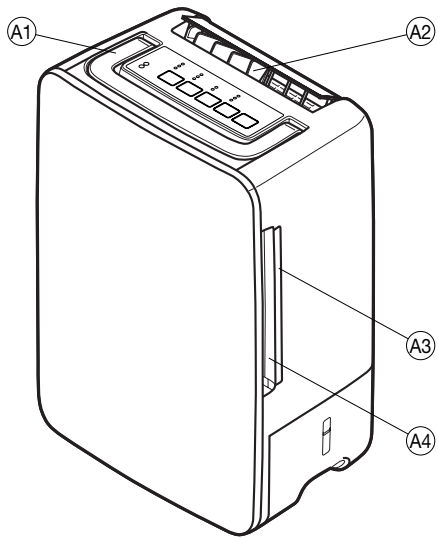
**DESUMIDIFICADOR POR
ABSORÇÃO**

**FFUGTER AF
TØRREMIDDELTYPE**

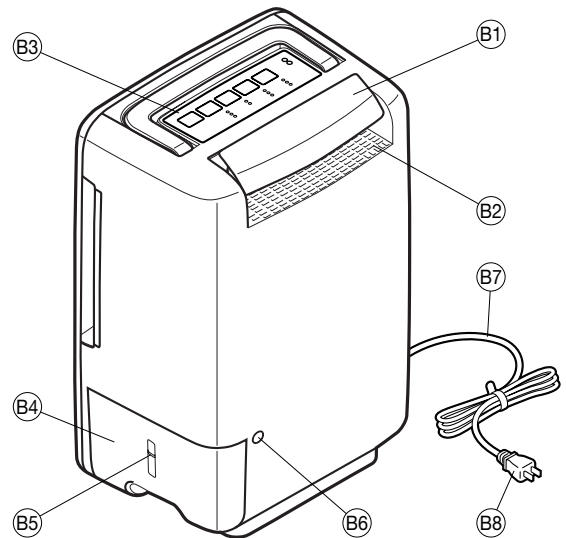
**LUFTAVFUKTARE AV
TORKMEDELSTYP**

| | | |
|-------------------------|------------|------|
| OPERATING MANUAL | ENGLISH | P. 1 |
| MANUAL D'UTILISATION | FRANÇAIS | P. 5 |
| BEDIENUNGSANLEITUNG | DEUTSCH | P. 9 |
| GEbruIKSAANWIJZING | NEDERLANDS | P.13 |
| MANUALE DI ISTRUZIONI | ITALIANO | P.17 |
| MANUAL DE INSTRUCCIONES | ESPAÑOL | P.21 |
| MANUAL DE INSTRUÇÕES | PORTUGUÊS | P.25 |
| BETJENINGSVEJLEDNING | DANSK | P.29 |
| BRUKSANVISNING | SVENSKA | P.33 |

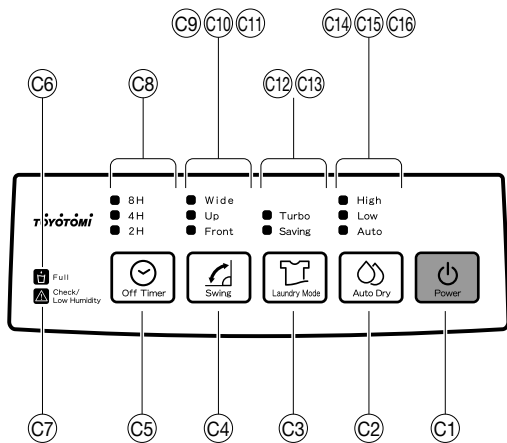
A



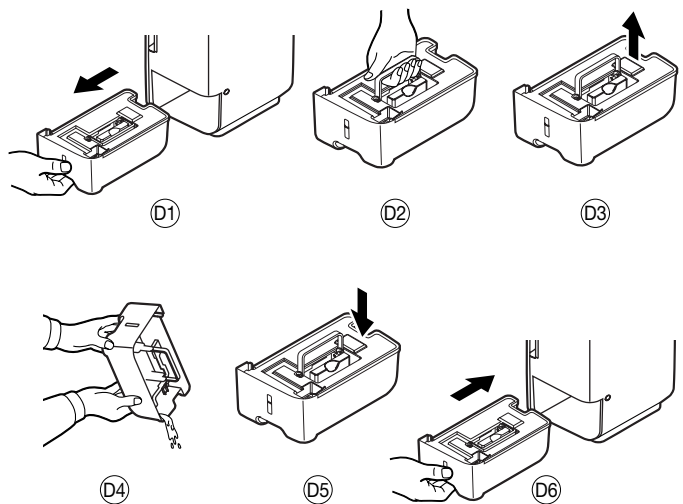
B



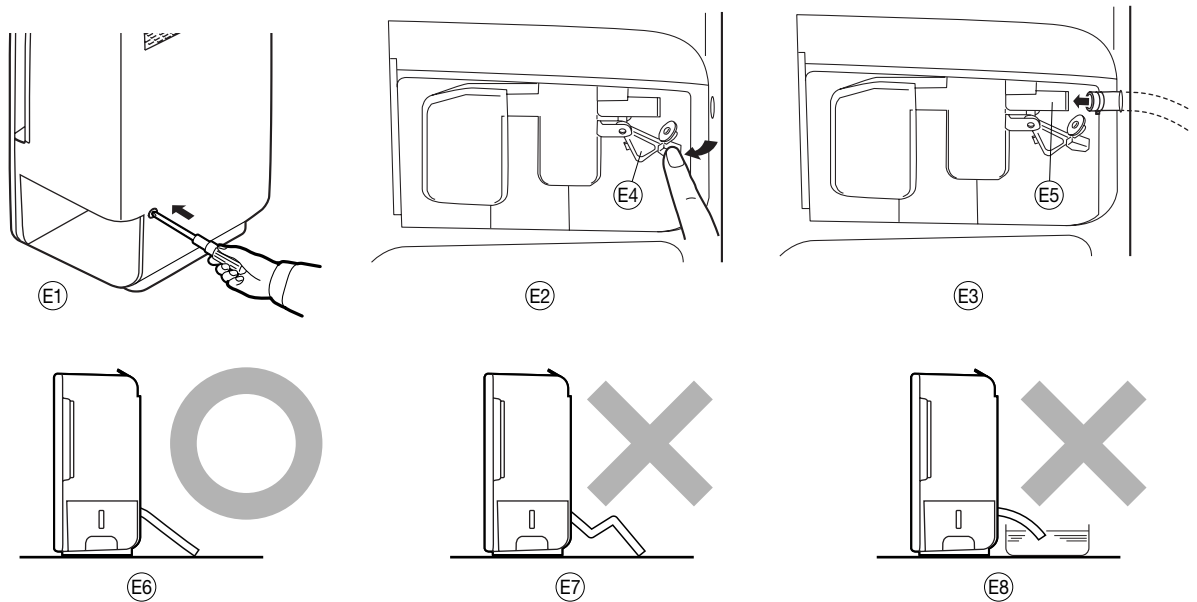
C



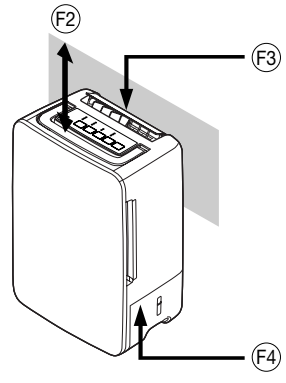
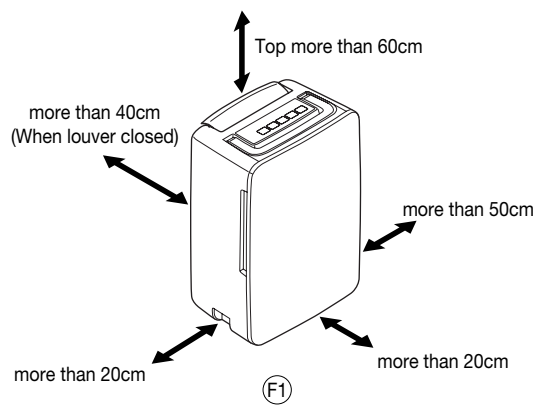
D



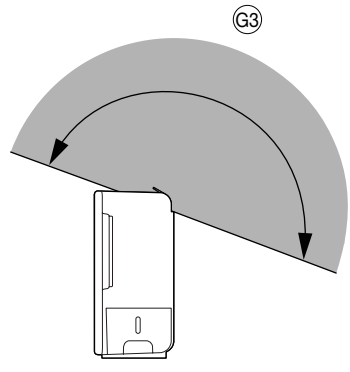
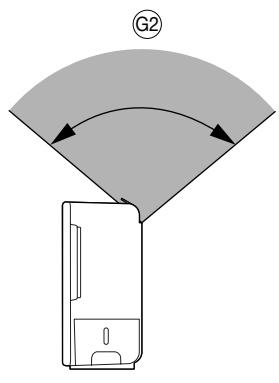
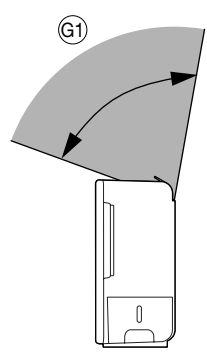
E



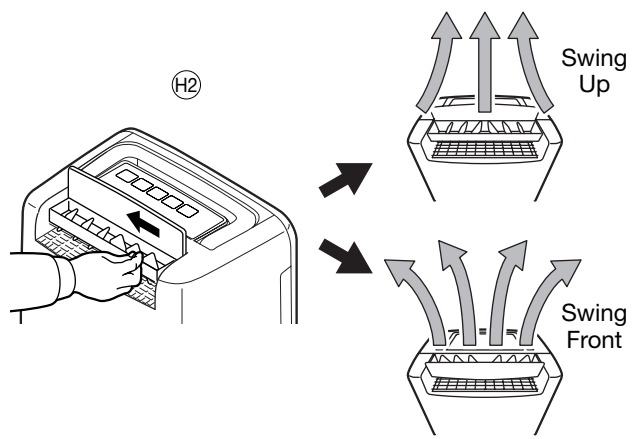
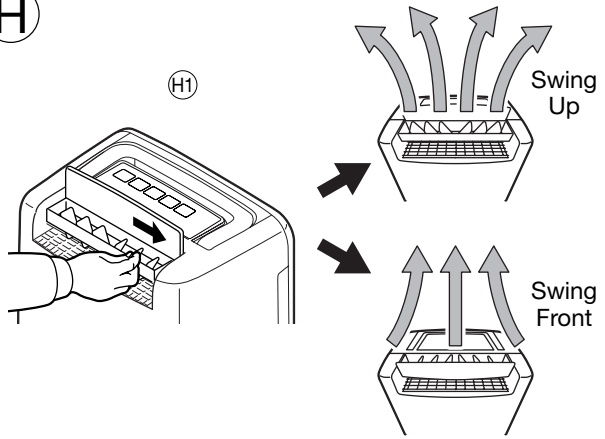
F



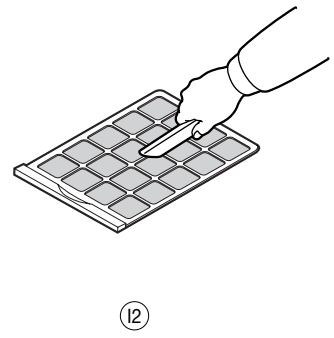
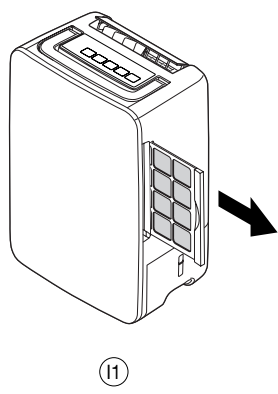
G



H



I



SUMMARY

The idea behind the unit is to dehumidify all season even if it is winter. This model features desiccant instead of compressor. Accordingly this model is not affected by room temperature. Also, desiccant type dehumidifier does not use harmful gasses, so it can be said as environmentally friendly.

It dries the air so that you can stay comfortable even when it's humid or rainy outside. Also your furnishings, fabrics and clothes are kept in good condition, and it is easy to dry your laundry and dry it quickly. Desiccant type is quieter than the compressor type, therefore you can dry the laundry at night and it will be dried in the morning. Off-Timer function which can be selected 2 hours, 4 hours, or 8 hours enables you to use the unit more conveniently especially at night.

OPERATIONAL FEATURES

FEATURES

1. COMPRESSORLESS DEHUMIDIFIER

This model uses desiccant rotor technology and is environmentally friendly with no harmful gasses & quiet in operation.

2. AUTOMATIC OPERATION

Once the desired function has been set, the humidity sensor controls room humidity automatically. And it is memorized as long as it remain connected to the wall outlet. In the event of power failure, the appliance will continue to operate at the selected setting prior to the power failure.

3. LAUNDRY MODE

This mode can dry rapidly the hanged laundry in the room. You can select Turbo Laundry Mode or Saving Laundry Mode depending on the amount of laundry.

4. AUTO SWING LOUVER

It can be selected 3 way angles, wide angle (180°), front angle (80°), or upward angle (100°). The auto swing louver mode is useful for speeding up the drying of laundry evenly.

5. TIMER OPERATION

The unit will turn off after the designated period of time (2, 4, 8 hours).

6. ANTI BACTERIAL FILTER

Nano-silver embedded in the filter kills bacteria on contact, improving the quality of air in your home or office.

1. DESCRIPTION

Fig. A FRONT

- A1 Carrying handle
- A2 Wide / Spot adjustable louver
- A3 Air intake grill (Pre-filter)
- A4 Air intake

Fig. B REAR

- B1 Louver
- B2 Air outlet
- B3 Operation panel
- B4 Water tank
- B5 Water gauge
- B6 Water outlet drain for continuous drain operation
- B7 Power supply cord
- B8 Power plug

Fig. C OPERATION PANEL

- C1 Power button
- C2 Auto Dry button
- C3 Laundry Mode button
- C4 Swing button
- C5 Off Timer button
- C6 Full lamp (When the tank filled up with water, the lamp will light.)
- C7 Check / Low humidity indicator lamp
- C8 Timer indicator lamp (2,4,8 hours)
- C9 Wide louver setting indicator lamp
- C10 Up louver setting indicator lamp
- C11 Front louver setting indicator lamp
- C12 Turbo laundry mode lamp
- C13 Saving laundry mode lamp
- C14 High dry mode air flow lamp
- C15 Low dry mode air flow lamp
- C16 Auto dry mode air flow lamp

2. SAFETY TIPS

IMPORTANT

- Read instruction carefully before operation.
- The unit should be operated when the room temperature is between 1°C to 40°C.

⚠ WARNING

This appliance is intended for use in a domestic environment only. Any other use is not recommended by the manufacturer and may cause fire, electrical shocks or other injury to person or property.

When using electrical appliances, basic safety precautions should always be followed:

- DO NOT operate the unit with a damaged cord or plug, after it malfunctions or has been dropped or damaged in any way. Return to an authorized service facility for examination and repair.
- This unit should always be kept in an upright position to avoid any damage. Locate the unit on a flat stable surface.
- Check the household voltage to ensure it matches the units rated specification before operating.
- Ensure that the air inlets and outlets are not blocked or covered.
- DO NOT place the unit too close to curtains or other objects - minimum distance 40cm.
- When using the "Laundry Mode" to speed up the drying of wet clothes in the room, please keep the clothing at a safe distance from the unit to prevent water from dropping onto the unit.
- NEVER place anything on top of the unit and do not cover with any kind of material while in use.
- This product is intended for domestic and light office use ONLY and not for commercial, industrial or outdoor use.
- To protect against electrical shocks, DO NOT immerse unit, plug or cord in water, or spray with liquids.
- NEVER unplug the power cord without pressing the "Power" button first, as this could damage the unit.
- ALWAYS unplug the unit when not in use or moving location. To disconnect from the power supply, grip the plug and pull from the power socket. NEVER pull by the cord.
- ALWAYS empty the water tank before storing the unit away.
- Using the dehumidifier in front of a warm radiator can result in the dehumidifier not collecting any water because of the heat from the radiator.
- DO NOT run power cord under carpets, rugs, or floor mats of any kind. Arrange the cord away from areas where it may be tripped over.
- NEVER operate or store the unit in direct sunlight.
- To repair the unit, take it to a qualified service engineer. Repairs carried out by unqualified people may cause damage to the unit or injury to persons or property and void the warranty.
- Where possible, avoid the use of an extension cable as they may overheat and cause a risk of fire. Only use an extension cord after ensuring it is in perfect condition.
- DO NOT use the unit without the air filter and make sure that the filter is kept clean to avoid malfunction and invalidating the warranty.
- This appliance can be used by children aged from 8 years and above and persons with reduced physical, sensory or mental capabilities or lack of experience and knowledge if they have been given supervision or instruction concerning use of the appliance in a safe way and understand the hazards involved.
- Children shall not play with the appliance.
- Cleaning and user maintenance shall not be made by children without supervision.

3. OPERATION

UNIT SET UP (Fig. F)

- Place the unit in an upright position on a stable, flat surface.
- Ensure that the unit is a safe distance away from a wall or furniture (Fig. F1).
- Keep clothes at a safe distance of 40 cm from air outlet of the unit to prevent water dripping into the unit.

⚠ CAUTION

- Keep suitable space as above. (F2)
- DO NOT insert small objects into the unit or this will damage it and cause a hazard. (F3)
- DO NOT remove water tank when running or water may leak. (F4)
- Ensure that the water tank is fitted correctly, if the tank is full or is not in place, the "Full" lights and the machine stops. (F4)

AUTO DRY MODE**OPERATING STEPS:**

- 1. PRESS "POWER" BUTTON (C1) TO "ON".**
- 2. PRESS AUTO DRY BUTTON.**
Press the "Auto Dry" button (C2) to set your desired mode "Auto", "Low" or "High".
AUTO mode (C16)
Keeps the room at a comfortable relative humidity (rh) level.
The unit automatically keeps room humidity at 45~50%rh with automatic high or low fan speed.
LOW mode (C15)
Run in low fan speed.
The unit automatically dehumidify in low fan speed and low heater.
HIGH mode (C14)
Super dry mode to prevent condensation.
The unit automatically keeps room humidity at 35~40%rh to prevent condensation in the room.
- 3. PRESS SWING BUTTON**
Press the "Swing" button (C4) to select your desired air louver angle (C9, C10, C11). Please refer to the detailed instruction at below.
- 4. STOP OPERATION**
Press the "Power" button (C1) and all lights will go out.
CAUTION: After turning the appliance OFF using the Power button, the fan will continue to run for two minutes. This is a normal procedure and helps to cool and protect the internal components. During these two minutes, DO NOT remove the power plug from the electrical socket outlet; wait for the fan to stop running.

LAUNDRY DRY MODE**OPERATING STEPS:**

- 1. PRESS "POWER" BUTTON (C1) TO "ON".**
- 2. PRESS "LAUNDRY MODE" BUTTON.**
Press the "Laundry Mode" button (C3) to set your desired mode "Saving" or "Turbo".
SAVING mode (C13)
Suitable for when the laundry amount is small or in summer to save power.
The unit automatically shifts to provide warm air or fan air depending on the room temperature. Assists to dry clothes with low power and lower room temperature.
TURBO mode (C12)
Suitable for when the laundry amount is large or in winter to dry clothes effectively.
The unit automatically provides heated air to dry clothes faster with higher power.
- 3. PRESS "SWING" BUTTON**
Press the "Swing" button (C4) to select your desired air louver angle. (C9, C10, C11) Please refer the detailed instruction at below.
- 4. STOP OPERATION**
Press the "Power" button (C1) and all lights will go out.
CAUTION: After turning the appliance OFF using the Power button, the fan will continue to run for two minutes. This is a normal procedure and helps to cool and protect the internal components. During these two minutes, DO NOT remove the power plug from the electrical socket outlet ; wait for the fan to stop running.

AUTO SWING LOUVER (Fig. G)

By pressing the "Swing" button (C4), select your desired air louver angle and the Louver setting indicator lamp will light.
"Front" → "Up" → "Wide" → Hold (Lamp off) → "Front"

FRONT (G1)...The automatic louver swings in a front range of approx. 80°
UP (G2).....The automatic louver swings in an upward range of approx. 100°
WIDE (G3).....The automatic louver swing in a wide range of approx. 180°
HOLDThe automatic louver stops swinging when you press "Swing" button and turns the lamp off.

The auto swing louver modes are useful for speeding up the drying of washing, wardrobes and walls because the fact that the airflow is hitting the surface of whatever it is that you want to dry will speed up the drying process as the water molecules will be forced out faster.

WIDE / SPOT ADJUSTABLE LOUVER (Fig. H)

If you select "Front" swing louver and adjust the blades outwards (H1), the airflow will change to spot blowing.

If you select "Front" swing louver and adjust the blades inwards (H2), the airflow will change to wide blowing.

If you select "Up" swing louver and adjust the blades outwards (H1), the airflow will change to wide blowing.

If you select "Up" swing louver and adjust the blades inwards (H2), the airflow will change to spot blowing.

If you select "Wide" swing louver, the direction of airflow will change depending on the angle of the louver.

TIMER OPERATION

Auto turning OFF:

Press the "Off Timer" button (C5) to select your desired running time (2,4 or 8 hours) (C8). The unit will automatically switch off at the end of the selected time period. As the time counts down, the lamp (4 or 2 hours) will indicate the time remaining.

When no Timer is set (the lamp is off), the unit will run continuously unless the water tank is already full.

2hours → 4hours → 8hours → Continuous (lamp OFF) → 2hours

CONTINUOUS DRAINAGE MODE (Fig. E)

For continuous drainage, use a hose with an inner diameter of 12mm and outer diameter of 14mm~16mm.

1. Remove the water tank.
2. Use a screwdriver to remove the knockout at the back. (E1) Pushing down and hold the stopper (E4) for drainage pipe by finger (Fig. E2). Attach the hose to the drainage pipe (E5) through the hole (Fig. E3).
3. Remove the tank cover and restore the water tank into the unit.
If the tank is not restored in the unit, full tank lamp will light and cannot start operation.
4. The tubing should be lead to the drain with no sharp bends. (E6, E7, E8)

NOTE:

1. The water tank must be in the correct position before tubing.
2. Remove the tubing before pulling out the water tank.
3. Remove the hose from the continuous drainage hole. Be sure to put the tank cover on the water tank and restart operation.

4. EMPTY THE WATER TANK (Fig. D)

1. When the water tank is full, the Full lamp (C6) will light and unit stops in a few minutes.

NOTE: DO NOT move the unit or remove the water tank, if the unit is still operating, as water may leak, damage the unit or cause an electric shock.

2. By gripping the bottom of the bucket, remove the water tank (D1) and lift carefully with handle (D2).
3. Remove the cover of water tank first (D3), then pour the water away (D4). Clean the water tank and restore the cover and the water tank (D5) (D6) to the correct position.

NOTE:

- Clean the water tank with clean water if needed. DO NOT use solvent, abrasive or hot water.
- DO NOT remove or damage the float in the tank, or the unit cannot work correctly.
- The water tank cover must be well fitted in position.
- The water full indicator lamp lights if the water tank is not well in the position.

CLEANING**CLEANING AIR INTAKE GRILLE (Fig. I)**

If the filter is covered with dust, the airflow and the performance of the unit will be affected. It is recommended to check and clean the air filter every 2 weeks.

1. Turn off the unit and remove the filter from the unit. (I1)
2. Clean the nano-silver filter with a vacuum cleaner or wash with water (under 40°C). (I2) If you wash with water, dry it completely at shaded area.
3. Replace the filter in position.

CLEANING SURFACE

1. Turn off the unit, wait for the fan to stop and unplug from the power socket.
2. Clean the surface with a soft damp cloth.
3. Dry thoroughly with a towel after cleaning.
4. In order to avoid damage, do not wash the unit with water, or let water drip into the air inlet or outlet.

⚠ CAUTION

- NEVER use gasoline, solvents, chemical products or polish as they could damage the surface.

5. LONG-TERM STORAGE

At the end of each season, or when you do not plan to use your unit for an extended period of time, the following procedures are recommended.

1. Turn off the unit, wait for it to stop and unplug from the power socket.
2. Clean and dry the water tank. Leave the unit to drain for approximately one day.
3. Clean the filter and the unit. Cover the unit to prevent it from gathering dust. Store upright in a cool dry place. DO NOT expose to direct sunlight.

⚠ CAUTION

- ALWAYS store the unit in the vertical position.
- DO NOT put heavy objects on top of the unit.

6. TROUBLESHOOTING

| SYMPTOM | CAUSE | SOLUTION |
|---|--|--|
| Unit does not work. | <ul style="list-style-type: none"> - Power cut. - The plug has been plugged improperly. - The full-tank indicator is ON. Tank is full. | <ul style="list-style-type: none"> - Wait for power to be supplied again. - Plug in again. - Remove the drain water from the water tank. |
| The device does not dehumidify. | <ul style="list-style-type: none"> - The water tank is full. - The water tank has not been replaced correctly. - The air filter is clogged. - The temperature in the room where the dehumidifier is operating is too low. - The relative humidity in the room where the dehumidifier is operating is too low. | <ul style="list-style-type: none"> - Remove the water from the water tank. - Place the water tank in the correct position. - Clean the air filter. - The machine does not dehumidify below 1°C, it is highly unlikely at that temperature that there is any moisture to remove anyway. - The dehumidifier dries down to the target relative humidity set and then goes into fan only mode until the relative humidity goes above the set point again. |
| The dehumidifier works, but reduces the relative humidity insufficiently / there is little water in the water tank. | <ul style="list-style-type: none"> - The house is too large. - There are too many source of moisture. Bathing, washing, drying clothes and cooking all puts moisture into the air. Calor gas heating can add too much moisture into the air for a dehumidifier. - The air filter is blocked and the reduce air flow is affecting performance. | <ul style="list-style-type: none"> - Recommend to use a dehumidifier with a greater capacity. - Recommend to use a dehumidifier with a greater capacity. Consider using a different heat source to a calor gas heater. - Clean the air filter. |
| Dehumidifier is blowing out warm air. | <ul style="list-style-type: none"> - The dried air is past over a heating element before it is blown into the room as part of the dehumidification process. | <ul style="list-style-type: none"> - This is normal, a dehumidifier is not an air cooler. |
| The dehumidifier is noisy. | <ul style="list-style-type: none"> - The air filter is blocked or the unit is on an uneven surface. | <ul style="list-style-type: none"> - Clean the filter and or put the dehumidifier on a flat surface. A dehumidifier will also be noisier on wooden floors than on carpet. |
| The fan runs after turning the unit off. | <ul style="list-style-type: none"> - The fan is cooling the internal heater. | <ul style="list-style-type: none"> - This is normal and the fan will run for about 2 minutes after you press the Power button to turn the unit off. Never turn the unit off at the wall until the fan has stopped running. |
| Check / Low humidity lamp (C7) lights | <ul style="list-style-type: none"> - The filter is clogged - Something is shutting on the air intake or the air outlet. - The room humidity is low | <ul style="list-style-type: none"> - Clean the air intake filter - Remove it from the air intake and the air outlet. - Wait for about 30 minutes to cool the unit down and run again in the room with the humidity of above 35%. |

BEFORE CALLING FOR SERVICE

The followings are not defects.

| | |
|--|---|
| Smell coming from the dehumidifier when the first use: | ⇒ The smell occurs because the Zeolite absorbs odors from items like cigarettes, cosmetics, and building materials, and discharged when the desiccant is heated. It is normal, will not last long and is not a sign of fault. |
| Need emptying frequently when the first use: | ⇒ As the room becomes dryer, the dehumidifier collects less water. |

7. SPECIFICATIONS

| | |
|------------------------|------------------------------|
| MODEL | TD-ZB80 |
| DEHUMIDIFYING CAPACITY | 8 L/D (20°C/60%rh) |
| POWER SOURCE | Single Phase 220V~240V, 50Hz |
| POWER CONSUMPTION | 620 W (High) / 350 W (Low) |
| OPERATING CURRENT | 2.7 A |
| WATER TANK CAPACITY | 4.0 L |
| OPERATING TEMP. RANGE | 1°C ~ 40°C |
| DIMENSIONS (WxHxD) | 350 x 506 x 240 mm |
| WEIGHT | 7.2 kg |

LIMITED WARRANTY

TOYOTOMI CO., LTD. ("TOYOTOMI") warrants each product and any parts thereof sold by it to be free from defects in materials or workmanship under normal use and service for TWENTY FOUR (24) MONTHS from the date of delivery to the original purchaser at retail subject to the following terms and conditions:

WHAT IS COVERED : Product or any parts thereof which are defective in materials or workmanship.

WHAT IS NOT COVERED:

This warranty does not extend to any defect due to the negligence of others; failure to install, operate or maintain unit in accordance with instructions (operating and maintenance instructions are furnished with each new unit); unreasonable use, accidents, alteration, use of unauthorized or non-standardized TOYOTOMI parts and accessories; electrical malfunction, i.e., as resulting from large power surges, short circuit, etc.; incorrect installation; or repair by anyone other than a service facility specified by TOYOTOMI.

WHO IS COVERED: The original purchaser at retail.

WHAT WE WILL DO: TOYOTOMI will either repair or replace, at its opinion, all defective parts free of charge that are covered by this limited warranty on a carry-in basis, to your nearest authorized dealer or distributor of TOYOTOMI.

WHAT YOU MUST DO FOR WARRANTY SERVICE: You must return the defective Product or part to any authorized dealer or distributor of TOYOTOMI with this LIMITED WARRANTY. If service is not available locally, please contact our CUSTOMER RELATIONS DEPARTMENT at:

TOYOTOMI EUROPE SALES B.V.

E-MAIL: info@toyotomi.eu

INTERNET: www.toyotomi.eu

THE FOREGOING EXPRESS ALL OF TOYOTOMI'S OBLIGATIONS AND LIABILITIES WITH RESPECT TO THE QUALITY OF PRODUCT FURNISHED BY IT. ALL OTHER WARRANTIES, EXPRESSED OR IMPLIED, INCLUDING THE WARRANTIES OF MERCHANTABILITY OR FITNESS FOR A PARTICULAR PURPOSE ARE DISCLAIMED. TOYOTOMI SHALL NOT BE LIABLE FOR THE LOSS OF USE OF THE PRODUCT, INCONVENIENCE, LOSS OR ANY OTHER DAMAGES, DIRECT OR CONSEQUENTIAL ARISING OUT OF, THE USE OF, OR INABILITY TO USE, THE PRODUCT OR DAMAGES RESULTING FROM OR ATTRIBUTABLE TO DEFECTS IN THE PRODUCT.

No other than TOYOTOMI has authority to extend or modify the terms of this Limited Warranty in any manner whatsoever.

Some states do not allow the exclusion or limitation of incidental or consequential damages or limitations on how long an implied warranty lasts, so these limitations or exclusions may not apply to you. This Limited Warranty gives you specific legal rights and you may also have other rights which vary from state to state.

SOMMAIRE

L'idée sous-jacente à cet appareil est de déshumidifier pendant toute la saison même en hiver. Ce modèle utilise un adsorbant d'humidité au lieu d'un compresseur. Par conséquent, ce modèle n'est pas affecté par la température ambiante. Le déshumidificateur type adsorbant d'humidité, n'utilise pas non plus de gaz nocifs, et peut donc être déclaré comme étant écologique.

L'appareil assèche l'air ambiant, afin que vous puissiez vous sentir bien même lorsque l'air est humide, ou lorsqu'il pleut. En outre, votre mobilier, les tissus et les vêtements sont maintenus en bon état, et il est aussi facile de sécher votre linge et de le sécher rapidement. Le type d'adsorbant d'humidité est plus silencieux que le type à compresseur, donc vous pouvez sécher le linge la nuit et le faire sécher le matin. La fonction Off-Timer qui peut être mise sur 2 heures, 4 heures ou 8 heures, vous permet d'utiliser l'appareil plus commodément, surtout la nuit.

CARACTÉRISTIQUES DE FONCTIONNEMENT FONCTIONNALITÉS

1. DÉSHUMIDIFICATEUR SANS COMPRESSEUR

Ce modèle utilise la technologie à rotor adsorbant d'humidité, est écologique sans aucun gaz nocif à un fonctionnement silencieux.

2. FONCTIONNEMENT AUTOMATIQUE

Une fois la fonction souhaitée définie, le capteur d'humidité contrôle l'humidité ambiante automatiquement. Elle est mémorisée tant qu'il reste branché sur la prise murale. En cas de panne de courant, l'appareil continuera à fonctionner suivant le réglage sélectionné avant la panne de courant.

3. MODE LINGE

Ce mode peut faire sécher rapidement le linge étendu dans la chambre. Vous pouvez sélectionner le mode TURBO DRY ou SAVING DRY en fonction de la quantité de linge.

4. LOUVRE A PIVOTEMENT AUTOMATIQUE

3 angles peuvent être sélectionnés : grand angle (180°), angle frontal (80°), ou vers le haut (100°). Le mode louvre à pivotement automatique est utile pour accélérer le séchage du linge uniformément.

5. FONCTIONNEMENT DE LA MINUTERIE

L'appareil s'éteindra une fois la durée programmée écoulée (2, 4 et 8 heures).

6. FILTRE ANTI BACTÉRIEN

Du nanoargent se trouvant dans le filtre, tue les bactéries par contact, améliorant la qualité de l'air dans votre maison ou votre bureau.

1. DESCRIPTION

Fig. A PARTIE FRONTALE

- A1 Poignée pour le transport
- A2 Louvre large / à réglage ciblé
- A3 Grille d'admission d'air (préfiltre)
- A4 Admission d'air

Fig. B ARRIÈRE

- B1 Louvre
- B2 Refoulement d'air
- B3 Panneau de commande
- B4 Bac d'eau
- B5 Jauge pour l'eau
- B6 Conduite d'évacuation de l'eau pour une vidange
- B7 Câble d'alimentation en électricité
- B8 Prise de courant

Fig. C PANNEAU DE COMMANDE

- C1 Bouton de mise en marche
- C2 Bouton de mode Auto Dry (séchage auto)
- C3 Bouton de mode Linge
- C4 Bouton Swing
- C5 Bouton de réglage de la minuterie
- C6 Témoin de PLEINE QUANTITÉ (Lorsque le bac sera plein d'eau, le témoin s'allumera.)
- C7 Témoin de vérification / humidité faible
- C8 Témoin de minuterie (2, 4, 8 heures)
- C9 Témoin de réglage de large louvre
- C10 Témoin de réglage du louvre vers le haut
- C11 Témoin de réglage du louvre frontal
- C12 Témoin de mode linge Turbo
- C13 Témoin de mode linge Saving
- C14 Témoin de débit d'air en mode Très sec

- C15 Témoin de débit d'air en mode très peu sec
- C16 Témoin de débit d'air en mode Auto Dry (séchage automatique)

2. CONSEILS EN MATIÈRE DE SÉCURITÉ IMPORTANT

- Lire attentivement les instructions avant d'utiliser l'appareil.
- Utiliser l'appareil lorsque la température ambiante est comprise entre 1°C et 40°C.

▲ AVERTISSEMENT

Cet appareil est à usage domestique uniquement. Toute autre utilisation n'est pas recommandée par le fabricant et peut provoquer des incendies, des chocs électriques, autres blessures ou occasionner des dégâts.

Lorsque vous utilisez les appareils électriques, des précautions élémentaires doivent toujours être prises :

- NE PAS faire fonctionner l'appareil si une prise ou un cordon d'alimentation est endommagé, s'il ne fonctionne pas correctement, après qu'il soit tombé ou a été endommagé d'une manière quelconque. Le renvoyer à un centre de service agréé pour examen et réparation.
- Cet appareil doit toujours être maintenu en position verticale pour éviter tout dégât. Placer la machine sur une surface plane et stable.
- Vérifier la tension de la maison, afin de s'assurer qu'elle corresponde à celle de la machine avant de mettre en marche.
- S'assurer que les admissions et refoulements d'air ne soient pas obstruées ou recouverts.
- NE PAS METTRE l'appareil trop près de rideaux ou d'autres objets - distance minimum 40 cm.
- Lors de l'utilisation du "Laundry Mode" (Mode Linge) pour accélérer le séchage des vêtements mouillés dans la pièce, veuillez garder les vêtements à une distance de sécurité de l'appareil, pour empêcher l'eau de couler sur celui-ci.
- Ne jamais rien poser sur le dessus de la machine, et ne pas couvrir pendant l'utilisation.
- Ce produit est destiné UNIQUEMENT à l'usage domestique et dans des petits bureaux, et non à des fins commerciales, industrielles ou de plein air.
- Afin de se protéger contre les chocs électriques, Ne pas immerger la machine, prise ou le cordon dans l'eau, ni la pulvériser de liquides.
- NE JAMAIS débrancher le cordon d'alimentation sans commencer par appuyer sur le bouton "Power", car l'appareil pourrait s'en trouver endommager.
- Débranchez toujours l'appareil si vous ne l'utilisez pas, ou si vous le déplacez ailleurs. Pour vous déconnecter de la source d'alimentation, saisissez la prise et tirez sur la prise d'alimentation. Ne JAMAIS tirer sur le cordon.
- Toujours vider le bac d'eau avant de ranger l'appareil.
- Utiliser le déshumidificateur devant un radiateur chaud, peut empêcher l'appareil de recueillir l'eau en raison de la chaleur se dégageant du radiateur.
- NE PAS installer le câble électrique sous de la moquette, sous un tapis, ou sous un tapis de plancher. Ranger le cordon loin des endroits où l'on puisse trébucher dessus.
- NE JAMAIS utiliser ou ranger l'appareil sous les rayons du soleil.
- Pour réparer l'appareil, l'emmener à un technicien qualifié en révision. Les réparations entreprises par une personne n'étant pas qualifiée, pourraient endommager l'appareil ou blesser les personnes, faire des dégâts, et annuler la garantie.
- Lorsque cela est possible, éviter d'utiliser les rallonges car elles peuvent surchauffer et entraîner des risques d'incendie. N'utiliser une rallonge qu'après être sûr qu'elle soit en bon état.
- NE PAS utiliser l'appareil sans filtre à air, et s'assurer qu'il soit propre, afin d'éviter tout mauvais fonctionnement et d'annuler la garantie.
- Cet appareil peut être utilisé par des enfants âgés de 8 ans et plus, ainsi que par des personnes à mobilité réduite, ayant des retards sensoriels ou mentaux, ou des personnes manquant d'expérience ou de connaissances, si elles ont été supervisées et instruites à l'utilisation de cet appareil en toute sécurité, et qu'elles comprennent les dangers potentiels.
- Les enfants ne doivent pas jouer avec cet appareil.
- Le nettoyage et l'entretien de cet appareil ne doivent pas être effectués par des enfants, sans supervision.

3. UTILISATION

INSTALLATION DE L'APPAREIL (Fig. F)

- Mettre l'appareil verticalement droit, sur une surface plane et stable.
- S'assurer que l'appareil soit à une distance sûre d'un mur ou d'un meuble (Fig. F1).
- Conserver les vêtements à une distance sûre de 40 cm d'une évacuation d'air de l'appareil, afin d'empêcher l'eau de s'écouler dans celui-ci.

⚠ ATTENTION

- Maintenir un espace convenable tel que ci-dessus (F2)
- NE PAS mettre de petits objets dans l'appareil, ou il pourrait en être endommagé et entraîner des risques. (F3)
- NE PAS retirer le bac lorsque de l'eau peut fuir ou en utilisant de l'eau. (F4)
- S'assurer que le bac d'eau soit bien mis. S'il est plein ou pas bien mis, les témoins "Full" s'allument, et la machine s'arrête. (F4)

MODE AUTO DRY

ÉTAPES D'UTILISATION:

1. APPUYER SUR LE BOUTON «POWER» (C1) POUR METTRE L'APPAREIL EN MARCHÉ.

2. BOUTON DE MODE AUTO DRY (SÉCHAGE AUTO)

Appuyer sur le bouton de mode "Auto Dry" (C2) pour passer sur le mode désiré : "Auto", "Low" ou "High".

Mode Auto (C16)

Maintenir la pièce à un niveau confortable d'humidité relative (rh). L'appareil maintient automatiquement l'humidité de la pièce entre 45 et 50 %rh lorsque la vitesse automatique du ventilateur est faible ou élevée.

Mode Low (C15)

Fonctionner à une vitesse faible de ventilateur.

L'appareil déshumidifie automatiquement lorsque la vitesse du ventilateur est faible et que le chauffage est faible également.

Mode High (C14)

Mode Super Dry pour empêcher la condensation.

L'appareil maintient automatiquement l'humidité de la pièce entre 35 et 40 %rh pour prévenir de la condensation dans celle-ci.

3. APPUYER SUR LE BOUTON «SWING»

Appuyer sur le bouton "Swing" (C4) pour choisir l'angle du louvre (C9, C10, C11). Veuillez vous référer aux instructions détaillées ci-dessous.

4. ARRÊT DE L'APPAREIL

Appuyer sur le bouton "Power" (C1) et tous les voyants s'éteindront.

ATTENTION

Après avoir éteint l'appareil en utilisant le bouton Power, le ventilateur continuera de fonctionner pendant deux minutes. Cela est tout à fait normal, et contribue au refroidissement et à la protection des pièces internes. Au cours de ces deux minutes, NE PAS débrancher la prise ; attendre que le ventilateur s'arrête.

MODE LAUNDRY DRY

ÉTAPES D'UTILISATION:

1. APPUYER SUR LE BOUTON «POWER» (C1) POUR METTRE L'APPAREIL EN MARCHÉ.

2. BOUTON DE MODE LAUNDRY DRY (LINGE SEC)

Appuyer sur le bouton de "Laundry Mode" (C3) pour passer sur le mode désiré : "Saving" ou "Turbo".

Mode SAVING (C13)

Idéal lorsque la quantité de linge est petite, ou en été, pour économiser de l'énergie.

L'appareil dégage automatiquement de l'air chaud ou de l'air du ventilateur, en fonction de la température de la pièce. Contribue à sécher les vêtements à faible puissance et à température basse de la pièce.

Mode TURBO (C12)

Idéal lorsque la quantité de linge est importante, ou en hiver, pour sécher efficacement le linge.

L'appareil fournit automatiquement de l'air chauffé pour sécher plus rapidement les vêtements secs à puissance plus importante.

3. APPUYER SUR LE BOUTON «SWING»

Appuyer sur le bouton "Swing" (C4) pour choisir l'angle du louvre. (C9, C10, C11) Veuillez vous référer aux instructions détaillées ci-dessous.

4. ARRÊT DE L'APPAREIL

Appuyer sur le bouton "Power" (C1) et tous les voyants s'éteindront.

ATTENTION

Après avoir éteint l'appareil en utilisant le bouton Power, le ventilateur continuera de fonctionner pendant deux minutes. Cela est tout à fait normal, et contribue au refroidissement et à la protection des pièces internes. Au cours de ces deux minutes, NE PAS débrancher la prise ; attendre que le ventilateur s'arrête.

LOUVRE A ORIENTATION AUTO (Fig. G)

En appuyant sur le bouton "Swing" (C4), choisir l'angle du louvre désiré, et le témoin de réglage du louvre s'allumera.

"Front" (Frontale) → "Up" (Vers le haut) → "Wide" (Large) → Maintenir (voyant éteint) → "Front" (Frontale)

FRONTALE (G1)...

Le louvre s'incline automatiquement frontalement de 80°.

VERS LE HAUT (G2)...

Le louvre s'incline automatiquement vers le haut de 100°.

LARGE (G3)...

Le louvre s'incline automatiquement largement de 180°.

MAINTENIR...

Le louvre s'arrête automatiquement de s'orienter, lorsque vous appuyez sur le bouton "Swing", et éteint le témoin.

Les modes Auto Louvre sont utiles pour accélérer le séchage du linge, des gardes-ropes et murs, car le fait que le débit d'air touche la surface de quelque chose que vous voulez sécher, accélérera le séchage, car les particules d'eau seront évacuées plus rapidement.

LOUVRE A REGLAGE CIBLE / LARGE (Fig. H)

Si vous sélectionnez le volet de ventilation "Front" (face) et orientez les ailettes vers l'extérieur (H1), le flux d'air sera orienté vers un endroit particulier.

Si vous sélectionnez le volet de ventilation "Front" (face) et orientez les ailettes vers l'intérieur (H2), le flux d'air se répartira de façon large.

Si vous sélectionnez le volet de ventilation "Up" (haut) et orientez les ailettes vers l'extérieur (H1), le flux d'air se répartira de façon large.

Si vous sélectionnez le volet de ventilation "Up" (haut) et orientez les ailettes vers l'intérieur (H2), le flux d'air sera orienté vers un endroit particulier.

Si vous sélectionnez le volet de ventilation "Wide" (large), le flux d'air sera orienté en fonction de l'angle d'inclinaison du volet.

FONCTIONNEMENT DU MINUTEUR

ARRÊT automatique:

Appuyer sur la touche "Off Timer" (C5) pour choisir la durée de fonctionnement voulue (2,4 ou 8 heures) (C8). L'appareil s'éteindra automatiquement à la fin de la durée choisie. Au fil de l'écoulement de la durée, le témoin (4 ou 2 heures) indiquera le temps restant. Lorsqu'aucune minuterie n'est réglée, (le témoin est éteint), l'appareil fonctionne continuellement à moins que le bac d'eau ne soit déjà plein.

2 heures → 4 heures → 8 heures → Continu (témoin éteint) → 2 heures

MODE DE DRAINAGE DE L'EAU EN CONTINU (Fig. E)

Pour un drainage continu, utiliser un flexible d'un diamètre intérieur de 12 mm et d'un diamètre extérieur de 14 mm ~ 16 mm.

1. Enlever le réservoir d'eau.
2. Utiliser un tournevis pour retirer l'opercule défonçable de l'arrière. (E1) Appuyer et maintenir butée (E4) du tuyau de drainage avec le doigt (Fig. E2). Fixer le flexible au tuyau de drainage (E5) dans le trou (Fig. E3).
3. Enlever le bouchon de réservoir et replacer le réservoir d'eau dans l'unité.

Si le réservoir n'est pas replacé dans l'unité, le témoin de pleine quantité s'allumera et l'unité ne pourra se mettre en marche.

4. Les tuyaux doivent mener à la vidange sans aucune courbure. (E6, E7, E8)

Note:

1. Le bac d'eau doit être dans la bonne position avant la tuyauterie.
2. Enlever les tuyaux avant de retirer le bac d'eau.
3. Retirer le flexible du trou de drainage continu. Veiller à replacer le bouchon sur le réservoir d'eau et remettre l'unité en marche.

4. VIDER LE RÉSERVOIR D'EAU (Fig. D)

1. Lorsque le bac d'eau est plein, le témoin de bac PLEIN s'allume (C6), et l'appareil s'arrête automatiquement après quelques minutes.

NOTE : Ne pas déplacer l'appareil ou déposer le bac d'eau, si la machine fonctionne encore, car l'eau peut fuir, endommager la machine ou causer des chocs électriques.

2. En saisissant le fond du godet, déposer le bac d'eau (D1) et soulever avec précaution à l'aide de la poignée (D2)
3. Commencer par déposer le couvercle du bac, (D3) puis verser l'eau loin (D4). Nettoyer le bac et remettre le couvercle et le godet (D5) (D6) dans la bonne position.

NOTE :

- Nettoyer le bac d'eau avec de l'eau propre si nécessaire. NE PAS utiliser de solvants, d'abrasifs ou de l'eau chaude.
- NE PAS enlever ou endommager le flotteur du bac d'eau, sinon l'appareil ne fonctionnera pas correctement.
- Le couvercle du bac doit être bien mis en position.
- Le témoin de plein d'eau s'allume si le bac d'eau n'est pas bien mis.

NETTOYAGE

NETTOYAGE DE LA GRILLE DE L'ARRIVÉE D'AIR (Fig. I)

Si le filtre est recouvert de poussière, la circulation de l'air et le bon fonctionnement de l'appareil seront affectés. Il est recommandé de vérifier et de nettoyer le filtre à air toutes les 2 semaines.

1. Mettre l'appareil hors tension et retirer le filtre de l'appareil. (I1)
2. Nettoyer uniquement le filtre nanoargent avec un aspirateur ou laver à l'eau (inférieure à 40°C) . (I2) Si vous lavez à l'eau, séchez-le complètement dans une zone ombragée.
3. Remettre le filtre en place.

NETTOYAGE DE LA SURFACE

1. Éteindre l'appareil, attendre que le ventilateur s'arrête, et le débrancher de la prise d'alimentation.
2. Nettoyer l'extérieur de l'appareil à l'aide d'un chiffon humide.
3. Sécher soigneusement avec une serviette après nettoyage.
4. Afin d'éviter d'endommager la machine, ne pas la laver la machine à l'eau, ni ne laisser couler d'eau dans l'admission ou le refoulement d'air.

⚠ ATTENTION

- NE JAMAIS utiliser d'essence, de solvants, de produits chimiques ou de produit à polir, car ils pourraient endommager la surface.

5. ENTREPOSAGE À LONG TERME

À la fin de chaque saison ou si vous prévoyez de ne pas utiliser l'appareil pendant une période prolongée, il est recommandé de suivre les procédures suivantes.

1. Éteindre l'appareil, attendre qu'il s'arrête, et le débrancher de la prise d'alimentation.
2. Nettoyer et sécher le bac d'eau. Laisser l'appareil se vidanger pendant environ une journée.
3. Nettoyer le filtre et l'appareil. Couvrir l'appareil pour l'empêcher de prendre la poussière. Ranger à la verticale et bien droit, dans un endroit sec et frais. NE PAS l'exposer à la lumière directe du soleil.

⚠ ATTENTION

- TOUJOURS entreposer l'appareil en position verticale.
- NE PAS poser d'objets lourds sur l'appareil.

6. DÉPANNAGE

| SYMPTÔME | CAUSE | SOLUTION |
|---|--|--|
| L'appareil ne fonctionne pas. | - Coupure de courant. - La prise n'est pas correctement branchée. - Le témoin de bac plein est ALLUMÉ. Le bac est plein. | - Attendre que l'alimentation électrique soit rétablie. - Rebrancher l'appareil. - Vidanger l'eau accumulée dans le bac. |
| L'appareil ne déshumidifie pas. | - Le bac d'eau est plein. - Le bac d'eau n'a pas été remis correctement - Le filtre à air est bouché. - La température ambiante de la pièce où le déshumidificateur fonctionne, est trop basse. - L'humidité relative de la pièce où le déshumidificateur fonctionne, est trop basse. | - Vidanger l'eau accumulée dans le bac. - Remettre le bac dans la bonne position. - Nettoyer le filtre à air. - La machine ne déshumidifie pas en dessous de 1°C. Il est hautement improbable à cette température qu'il y ait de l'humidité à supprimer. - Le déshumidificateur assèche jusqu'au point de consigne d'humidité relative visée, puis passe uniquement en mode ventilateur, jusqu'à ce que l'humidité relative dépasse le point de consigne de nouveau. |
| Le déshumidificateur fonctionne, mais réduit l'humidité relative insuffisamment / il y a peu d'eau dans le bac. | - La maison est trop grande. - Il y a trop de sources d'humidité. Bain, lavage, séchage des vêtements, cuisson, tout dégage de l'humidité dans l'air. Un chauffage à gaz Calor peut ajouter trop d'humidité dans l'air pour un déshumidificateur. - Le filtre à air est bouché et le débit d'air réduit affecte le bon fonctionnement. | - Recommander d'utiliser un déshumidificateur d'une plus grande capacité. - Recommander d'utiliser un déshumidificateur d'une plus grande capacité. Envisager d'utiliser une autre source de chaleur au lieu d'un chauffage au gaz Calor. - Nettoyer le filtre à air. |
| Déshumidificateur souffle de l'air chaud. | - L'air séché est passé sur un élément chauffant avant qu'il ne soit soufflé dans la pièce, dans le cadre de la déshumidification. | - C'est normal, un déshumidificateur n'est pas un refroidisseur d'air. |
| Le déshumidificateur est bruyant. | - Le filtre à air est obstrué ou la machine se trouve sur une surface pas plate. | - Nettoyer le filtre et ou mettre le déshumidificateur sur une surface plane. Un déshumidificateur sera également plus bruyant sur les parquets en bois que sur de la moquette. |
| Le ventilateur fonctionne après avoir éteint l'appareil. | - Le ventilateur refroidit le chauffage interne. | - C'est normal, et le ventilateur fonctionnera pendant environ 2 minutes, après que vous ayez appuyé sur le bouton Power, pour éteindre l'appareil. Ne jamais éteindre l'appareil au mur, à moins que le ventilateur ait arrêté de fonctionner. |

| SYMPTÔME | CAUSE | SOLUTION |
|---|--|--|
| Vérifier / témoin d'humidité faible (C7) s'allume | <ul style="list-style-type: none"> - Le filtre est bouché. - Quelque chose bouche l'arrivée d'air ou son refoulement. - L'humidité de la pièce est faible | <ul style="list-style-type: none"> - Nettoyer le filtre d'admission d'air. - Le retirer de l'admission d'air et de son refoulement. - Patienter environ 30 minutes pour refroidir l'appareil, et le faire fonctionner à nouveau dans la salle, en fonction d'un taux d'humidité supérieur à 35 %. |

AVANT DE CONTACTER LE SERVICE DE RÉPARATION

Les éléments détaillés ci-dessous ne constituent pas de problèmes de fonctionnement.

| | |
|--|--|
| Odeur provenant du déshumidificateur lors de la première utilisation | ⇒ L'odeur se dégage parce que la zéolite absorbe les odeurs provenant de choses comme les cigarettes, des cosmétiques, et des matériaux de construction, et s'en va lorsque l'absorbant d'humidité est chauffé. C'est normal, cela ne durera pas longtemps, et n'est pas un indice de panne. |
| Il faut le vider fréquemment lors de la première utilisation | ⇒ Comme la pièce s'assèche, le déshumidificateur recueille moins d'eau. |

7. SPÉCIFICATIONS

| | |
|---------------------------------|---------------------------------|
| MODÈLE | TD-ZB80 |
| CAPACITÉS DE DÉSHUMIDIFICATION | 8 L/D (20°C / 60 % rh) |
| SOURCE DE COURANT | Monophasé 220 V ~ 240 V, 50 Hz |
| CONSOMMATION EN ÉLECTRICITÉ | 620 W (élevée) / 350 W (faible) |
| COURANT DE SERVICE | 2,7 A |
| CAPACITÉ DU BAC À EAU | 4,0 L |
| TEMPÉRATURES DE SERVICE - PLAGE | 1°C ~ 40°C |
| DIMENSIONS (l x h x p) | 350 x 506 x 240 mm |
| POIDS | 7,2 kg |

GARANTIE LIMITÉE

TOYOTOMI CO., LTD. (TOYOTOMI) garantit tous les produits vendus par ses soins ainsi que toutes les pièces des dits produits contre tout défaut matériel ou vice de fabrication détecté dans des conditions normales d'utilisation et d'entretien, et ce, pendant VINGT QUATRE (24) MOIS, à compter de la date d'achat du produit par l'acheteur initial auprès du détaillant, conformément aux conditions générales suivantes :

INCLUS DANS LA GARANTIE:

Les défauts matériels ou vices de fabrication présentés par le produit ou ses pièces.

EXCLUS DE LA GARANTIE:

La présente garantie ne couvre aucun vice résultant de la négligence de tierces personnes, de manquements aux instructions d'installation, d'utilisation et d'entretien (les instructions d'utilisation et d'entretien sont fournies avec l'appareil), d'une utilisation hors des limites du raisonnable, d'accidents, de modifications ainsi que de l'utilisation de pièces et d'accessoires non agréés ou non normalisés par TOYOTOMI, de dysfonctionnements électriques (dus à des surcharges importantes, à des courts-circuits, etc.), d'une mauvaise installation ; ou de réparations effectuées par des personnes n'étant pas affiliées aux services agréés par TOYOTOMI.

BÉNÉFICIAIRE DE LA GARANTIE:

L'acheteur original du produit auprès du détaillant.

NOTRE ENGAGEMENT:

TOYOTOMI réparera ou remplacera, à sa propre discrétion, toutes les pièces défectueuses, sans frais, conformément à la présente garantie limitée. L'appareil devra être amené par vos soins au revendeur ou distributeur agréé par TOYOTOMI le plus proche.

VOTRE ENGAGEMENT DANS LE CADRE DE LA GARANTIE :

Vous serez tenu de renvoyer le produit défectueux ou les pièces défectueuses à un revendeur ou distributeur agréé par TOYOTOMI, en joignant la présente GARANTIE LIMITÉE. Si aucun service de réparation n'existe dans votre localité, veuillez contacter notre SERVICE DE RELATIONS À LA CLIENTÈLE au :

TOYOTOMI EUROPE SALES B.V.

E-MAIL : info@toyotomi.eu

INTERNET: www.toyotomi.eu

LES MODALITÉS SUSMENTIONNÉES DÉTAILLENT TOUTES LES OBLIGATIONS ET RESPONSABILITÉS DE TOYOTOMI EN CE QUI CONCERNE LA QUALITÉ DU PRODUIT FOURNI PAR SES SOINS. ELLES REMPLACENT TOUTE AUTRE GARANTIE, EXPRESSE OU IMPLICITE, NOTAMMENT LES GARANTIES DE QUALITÉ MARCHANDE OU D'ADÉQUATION À UN USAGE PARTICULIER. TOYOTOMI DÉCLINE TOUTE RESPONSABILITÉ QUANT AUX PERTES DE JOUISSANCE DU PRODUIT, DÉSAGRÈMENTS, PERTES OU AUTRES DOMMAGES, DIRECTS, INDIRECTS, OU CONSÉCUTIFS, RÉSULTANT DE L'UTILISATION OU DE L'INCAPACITÉ À UTILISER LE PRODUIT, AINSI QU'EN CE QUI CONCERNE LES DOMMAGES RÉSULTANT OU POUVANT ÊTRE IMPUTÉS À DES VICES DU PRODUIT.

Seul TOYOTOMI est habilitée à étendre ou modifier les modalités de la présente Garantie Limitée quelqu'en soit la manière.

Certains états n'autorisent pas les exclusions ou limites de responsabilité concernant les dommages indirects ou accessoires, ainsi que les limites relatives à la durée d'une garantie limitée ; lesdites limites et exclusions ne s'appliqueront donc pas à ces états. La présente Garantie Limitée vous confère des droits légaux spécifiques, outre d'autres droits susceptibles de vous revenir, selon l'état dans lequel vous résidez.

ÜBERSICHT

Das Gerät dient dazu, der Luft die Feuchtigkeit zu entziehen - und zwar in jeder Jahreszeit, auch im Winter. Dieses Modell enthält ein Trocknungsmittel anstelle eines Kompressors. Demnach ist es von der Raumtemperatur unabhängig. Zudem verwendet ein Adsorptionstrockner keine schädlichen Gase und ist somit umweltfreundlich.

Die Luft wird getrocknet, sodass Sie auch bei feuchtem oder regnerischem Wetter ein angenehmes Wohnklima genießen können. Auch Ihre Möbel, Textilien und Kleidung bleiben in einem guten Zustand, und Ihre Wäsche trocknet schnell. Ein Adsorptionstrockner ist leiser als ein Trockner mit Kompressor, weshalb Sie Ihre Wäsche über Nacht trocknen können. Dank der auf 2/4/8 Stunden einstellbaren Zeitschaltuhr können Sie den Trockner zweckmäßiger einsetzen, insbesondere nachts.

BETRIEBSFUNKTIONEN FUNKTIONEN

1. KOMPRESSORLOSER ENTFEUCHTER

Dieses Modell funktioniert mit einer Trockenmittel-Rotor-Technik, ist umweltfreundlich ohne schädliche Gase und überdies leise im Betrieb.

2. AUTOMATIKFUNKTION

Nachdem Sie die gewünschte Funktion eingestellt haben, überwacht der Feuchtigkeitssensor die Luftfeuchtigkeit automatisch, solange die Stromzufuhr nicht unterbrochen wird. Bei einem Stromausfall läuft das Gerät nach Behebung der Störung wieder in demselben Modus wie vor dem Problem.

3. WÄSCHE-MODUS

In diesem Modus trocknen Sie ganz schnell Ihre Wäsche. Wählen Sie zwischen dem Turbo- und Sparmodus aus, je nach Wäschemenge.

4. AUTOMATISCHE SCHWENKLUFKLAPPE

Zur Auswahl stehen drei Winkel: weit (180°), vorn (80°) und aufwärts (100°). Mit der automatischen Schwenklufklappe können Sie das gleichmäßige Trocknen Ihrer Wäsche beschleunigen.

5. ZEITSCHALTUHR

Das Gerät schaltet sich nach der eingestellten Zeit aus (2/4/8 h).

6. BAKTERIENFILTER

Nanosilber im Filter tötet Bakterien ab und verbessert damit die Luftqualität.

1. BESCHREIBUNG

Abb. A VORDERSEITE

- A1 Tragegriff
- A2 Einstellbare Luftklappe (weit/Punkt)
- A3 Lufteinlassgitter (Vorfilter)
- A4 Luftzufuhr

Abb. B RÜCKSEITE

- B1 Luftklappe
- B2 Luftauslass
- B3 Bedienfeld
- B4 Wassertank
- B5 Pegel
- B6 Wasserablauf für ständige Entwässerung
- B7 Stromkabel
- B8 Netzstecker

Abb. C BEDIENFELD

- C1 Stromtaste
- C2 Taste für automatischen Trockenmodus
- C3 Taste für Wäsche-Modus
- C4 Taste für automatische Luftklappeneinstellung
- C5 Zeitschaltuhr-Taste
- C6 Voll-Kontrollleuchte (leuchtet bei vollem Wassertank)
- C7 Kontrollleuchte / Anzeige geringer Feuchtigkeit
- C8 Zeitschaltuhr-Anzeigelampe (2,4,8 h)
- C9 Anzeigelampe Luftklappeneinstellung weit
- C10 Anzeigelampe Luftklappeneinstellung aufwärts
- C11 Anzeigelampe Luftklappeneinstellung vorn
- C12 Leuchte Turbo-Wäsche-Modus
- C13 Leuchte Spar-Wäsche-Modus
- C14 Leuchte Luftstrom starke Trocknung
- C15 Leuchte Luftstrom geringe Trocknung
- C16 Leuchte Luftstrom automatische Trocknung

2. SICHERHEITSHINWEISE

WICHTIG

- Lesen Sie vor der Verwendung die Sicherheitshinweise aufmerksam durch.
- Das Gerät sollte bei einer Raumtemperatur zwischen 1°C und 40 °C betrieben werden.

⚠️ WARNUNG

Dieses Gerät ist nur für die Nutzung im Haushalt bestimmt. Jegliche andere Nutzung ist nicht angezeigt und kann Feuer, elektrischen Schock, Verletzungen und Sachschäden verursachen.

Bei der Nutzung elektrischer Geräte sind stets grundlegende Sicherheitsvorkehrungen zu beachten:

- Verwenden Sie das Gerät NICHT mit beschädigtem Stecker oder Kabel, nach Funktionsstörungen oder nachdem es heruntergefallen ist oder beschädigt wurde. Lassen Sie es in solchen Fällen von einer Fachwerkstatt reparieren.
- Das Gerät muss aufrecht stehen, um Schäden zu vermeiden. Stellen Sie das Gerät auf eine ebene und stabile Unterlage.
- Überprüfen Sie vor dem Betrieb, ob die Spannung in Ihrem Haus mit der Spezifikation des Geräts übereinstimmt.
- Achten Sie darauf, dass Lufteinlass- und Luftauslassöffnungen nicht blockiert oder abgedeckt sind.
- Stellen Sie das Gerät mindestens 40 cm von Gardinen und anderen Gegenständen auf.
- Bei der Nutzung des Wäsche-Modus zur schnelleren Trocknung feuchter Wäsche im Raum halten Sie die Wäsche in sicherer Entfernung von dem Gerät, sodass kein Wasser in das Gerät tropfen kann.
- Legen Sie nichts auf das Gerät und bedecken Sie es nicht während des Betriebs.
- Dieses Gerät ist NUR für die Nutzung im Haushalt und für die nicht-intensive Nutzung im Büro bestimmt, nicht aber für geschäftliche, industrielle oder Freiluftnutzung.
- Zum Schutz vor elektrischem Schock tauchen Sie das Gerät, den Stecker und das Kabel nicht ins Wasser und besprühen Sie es nicht mit Flüssigkeiten.
- Schalten Sie das Gerät aus, bevor Sie den Stecker ziehen, um keine Schäden zu verursachen.
- Ziehen Sie den Stecker, wenn Sie das Gerät nicht nutzen oder umstellen. Ziehen Sie immer am Stecker, NIE am Kabel.
- Leeren Sie den Wassertank, bevor Sie das Gerät verstauen.
- Steht der Trockner vor einer Heizung, dann kann er durch die Wärme kein Wasser aufnehmen.
- Das Stromkabel NICHT unter Teppichboden, Vorlegern oder Fußmatten jeglicher Art verlegen. Achten Sie darauf, dass niemand über das Kabel stolpern kann.
- Nutzen oder lagern Sie das Gerät nicht in direktem Sonnenlicht.
- Lassen Sie das Gerät nur von einem qualifizierten Servicetechniker reparieren. Von unqualifizierten Personen ausgeführte Reparaturen können zur Beschädigung des Geräts, Verletzungen und Sachschäden führen und lassen die Garantie ungültig werden.
- Vermeiden Sie nach Möglichkeit die Verwendung eines Verlängerungskabels, da es überhitzen und Feuer verursachen kann. Verwenden Sie nur Verlängerungskabel, die in ausgezeichnetem Zustand sind.
- Verwenden Sie das Gerät nicht ohne Luftfilter und achten Sie darauf, dass der Filter sauber ist, um Funktionsstörungen und den Verfall der Garantie zu vermeiden.
- Dieses Gerät eignet sich für den Gebrauch durch Kinder ab acht Jahren sowie durch Personen mit eingeschränkten physischen, sensorischen oder geistigen Fähigkeiten oder fehlender Erfahrung und beschränkten Kenntnissen, wenn diese entsprechend beaufsichtigt und angeleitet werden, um das Gerät sicher anzuwenden und die mit der Anwendung verbundenen Gefahren zu verstehen.
- Kinder dürfen nicht mit dem Gerät spielen.
- Die Reinigung und Wartung darf von Kindern ausschließlich unter Aufsicht durchgeführt werden.

3. BETRIEB

EINRICHTUNG (Abb. F)

- Stellen Sie das Gerät aufrecht auf eine ebene, stabile Fläche.
- Achten Sie auf einen Sicherheitsabstand zu Wand und Möbeln (Abb. F1).
- Wäsche muss mindestens 40 cm vom Luftauslass entfernt hängen, damit kein Wasser in das Gerät tropfen kann.

▲ VORSICHT

- Halten Sie hinreichend Abstand. (F2)
- Führen Sie keine kleinen Gegenstände in das Gerät; dies führt zu Schäden und Gefahren. (F3)
- Entfernen Sie während des Betriebs nicht den Eimer, sonst läuft das Wasser aus. (F4)
- Achten Sie darauf, dass der Wassertank ordentlich eingesetzt ist. Ist der Tank nicht richtig eingesetzt oder voll, dann leuchtet „Full“ (voll) auf und stellt das Gerät seine Funktion ein. (F4)

AUTOMATISCHER TROCKNUNGSMODUS**BETRIEBSABLAUF:**

- 1. STELLEN SIE DIE „POWER“-TASTE (C1) AUF „ON“ (EIN).**
- 2. DRÜCKEN SIE DIE TASTE FÜR DEN AUTOMATISCHEN TROCKNUNGSMODUS.**

Drücken Sie die Taste für „Auto Dry“ (C2), um den gewünschten Modus - „Auto“ (Automatisch), „Low“ (Niedrig), „High“ (HOCH) - einzustellen.

AUTOMATISCHER Modus (C16)

Hält den Raum auf einem angenehmen Niveau relativer Luftfeuchtigkeit (R.H.).

Das Gerät hält die Luftfeuchtigkeit im Raum automatisch bei 45~50%rh R.H. mit automatischer hoher oder niedriger Lüftergeschwindigkeit.

NIEDRIGER Modus (C15)

Der Lüfter arbeitet mit geringer Geschwindigkeit.

Das Gerät trocknet automatisch mit geringer Lüftergeschwindigkeit und geringer Heizleistung.

HOHER Modus (C14)

Besonders trockener Modus zur Verhinderung von Kondensation.

Das Gerät hält die Luftfeuchtigkeit im Raum automatisch bei 35~40%rh R.H., um Kondensation im Raum zu vermeiden.

- 3. DRÜCKEN SIE DIE TASTE FÜR DIE AUTOMATISCHE LUFTKLAPPENEINSTELLUNG.**

Drücken Sie die Taste für „Swing“ (C4), um Ihren gewünschten Luftklappenwinkel einzustellen (C9, C10, C11). Siehe dazu die detaillierten Anweisungen hierunter.

- 4. BETRIEB EINSTELLEN**

Drücken Sie die „Power“-Taste (C1), die Leuchten gehen aus.

VORSICHT: Nach dem Ausschalten des Geräts mit der Power-Taste läuft der Lüfter noch zwei Minuten weiter. Dies ist eine normale Funktion, die der Abkühlung und damit dem Schutz der inneren Komponenten dient. Ziehen Sie während dieser zwei Minuten nicht den Netzstecker, sondern warten Sie, bis sich der Lüfter ausgeschaltet hat.

WÄSCHETROCKNUNGSMODUS**BETRIEBSABLAUF:**

- 1. STELLEN SIE DIE „POWER“-TASTE (C1) AUF „ON“ (EIN).**
- 2. DRÜCKEN SIE DIE TASTE FÜR DEN WÄSCHETROCKNUNGSMODUS.**

Drücken Sie die Taste für die „Laundry Mode“ (C3), um den gewünschten Modus - „Saving“ (Sparen) oder „Turbo“ - einzustellen.

SPAR-Modus (C13)

Geeignet für kleine Wäschemengen oder bei Nutzung im Sommer, um Strom zu sparen.

Das Gerät wechselt automatisch zwischen Warmluft und Lüfterluft, je nach Raumtemperatur. Trocknet die Wäsche mit geringem Stromverbrauch bei geringer Raumtemperatur.

TURBO-Modus (C12)

Geeignet für große Wäschemengen oder bei Nutzung im Winter, um Wäsche effizient zu trocknen.

Das Gerät erzeugt automatisch mit höherem Leistungsaufwand Warmluft, um die Wäsche zu trocknen.

- 3. DRÜCKEN SIE DIE TASTE FÜR DIE AUTOMATISCHE LUFTKLAPPENEINSTELLUNG.**

Drücken Sie die Taste für die „Swing“ (C4), um Ihren gewünschten Luftklappenwinkel einzustellen (C9, C10, C11). Siehe dazu die detaillierten Anweisungen hierunter.

- 4. BETRIEB EINSTELLEN**

Drücken Sie die „Power“-Taste (C1), die Leuchten gehen aus.

VORSICHT: Nach dem Ausschalten des Geräts mit der Power-Taste läuft der Lüfter noch zwei Minuten weiter. Dies ist eine normale Funktion, die der Abkühlung und damit dem Schutz der inneren Komponenten dient. Ziehen Sie während dieser zwei Minuten

nicht den Netzstecker, sondern warten Sie, bis sich der Lüfter ausgeschaltet hat.

AUTOMATISCHE LUFTKLAPPE (Abb. G)

Drücken Sie die Taste für die automatische Luftklappeneinstellung (C4) und wählen Sie Ihren gewünschten Luftklappenwinkel aus: die Luftklappeneinstellungslampe leuchtet auf.

“Front” → “Up” → “Wide” → Hold (Lampe aus) → “Front”

FRONT (G1).....

Die automatische Luftklappe schwenkt in einem Vorderbereich von rund 80°.

UP (G2).....

Die automatische Luftklappe schwenkt in einem Aufwärtsbereich von rund 100°.

WIDE (G3).....

Die automatische Luftklappe schwenkt in einem weiten Bereich von rund 180°.

HOLD.....

Die automatische Luftklappe stellt das Schwingen ein, die Lampe erlischt.

Die automatischen Luftklappeneinstellungsmodi beschleunigen das Trocknen von Wäsche, Schränken und Wänden, da der Luftstrom die Wassermoleküle schneller austreten lässt.

EINSTELLBARE LUFTKLAPPE WEIT/PUNKT (Abb. H)

Wenn Sie "Front" wählen und die Lamellen und das Gebläse nach aussen drehen (H1), wird der Luftstrom gebündelt.

Wenn Sie "Front" wählen und die Lamellen und das Gebläse nach innen drehen (H2), vergrößert sich der Luftstrom.

Wenn Sie "Up" wählen und die Lamellen und das Gebläse nach aussen drehen (H1), vergrößert sich der Luftstrom.

Wenn Sie "Up" wählen und die Lamellen und das Gebläse nach innen drehen (H2), wird der Luftstrom gebündelt.

Wenn Sie "Wide" wählen, ändert sich die Richtung des Luftstroms je nach Einstellung der Lamellen.

ZEITSCHALTUHR

Automatische ABSCHALTUNG:

Drücken Sie die Taste für die „Off Timer“ (C5), um die gewünschte Betriebszeit (2/4/8 h) einzustellen (C8). Das Gerät schaltet sich nach Ablauf der eingestellten Zeit aus. Die Lampe zeigt die verbleibende Zeit (4 oder 2 h) an.

Ist die Zeitschaltuhr nicht aktiviert, arbeitet das Gerät so lange, bis der Wassertank voll ist.

2 h → 4 h → 8 h → kontinuierlich (Lampe AUS) → 2 h

DAUERENTWÄSSERUNG (Abb. E)

Schließen Sie zwecks Dauerentwässerung einen Schlauch mit einem Innendurchmesser von 12 mm und einem Außendurchmesser zwischen 14 und 16 mm an.

1. Den Wassertank entfernen.
 2. Öffnen Sie mit einem Schraubendreher das Ausbrechloch an der Rückseite. (E1) Drücken Sie mit dem Finger den Stöpsel (E4) für die Entwässerung herunter und halten Sie ihn gedrückt (Abb. E2). Schließen Sie den Schlauch an das Entwässerungsrohr (E5) durch das Loch an (Abb. E3).
 3. Den Deckel des Wassertanks abnehmen und den Wassertank wieder in das Gerät einsetzen.
Solange der Wassertank nicht wieder richtig eingesetzt wurde leuchtet die Kontrollleuchte, die anzeigt, dass der Tank voll ist und das Gerät funktioniert nicht.
 4. Führen Sie den Schlauch ohne Knicke zum Ablauf. (E6, E7, E8)
- HINWEIS:**
1. Vor der Verlegung des Schlauchs muss der Wassertank korrekt eingesetzt sein.
 2. Nehmen Sie den Schlauch ab, bevor Sie den Wassertank herausnehmen.
 3. Den Schlauch aus der Öffnung für die Dauerentwässerung entfernen. Die Abdeckung wieder auf dem Wassertank anbringen und das Gerät starten.

4. LEEREN SIE DEN WASSERTANK (Abb. D)

1. Bei vollem Wassertank blinkt die Voll-Kontrollleuchte (C6) und beendet das Gerät innerhalb weniger Minuten seine Funktion.
HINWEIS: Solange das Gerät noch in Betrieb ist, das Gerät nicht an einen anderen Ort stellen oder den Wassertank entfernen, da ansonsten Wasser entweichen, das Gerät eventuell beschädigt werden oder

es zu einem elektrischen Schlag kommen kann.

- Ergreifen Sie den Wassertank (D1) an seiner Unterseite und heben Sie ihn mit dem Griff (D2) vorsichtig heraus.
- Nehmen Sie den Deckel ab (D3) und gießen Sie das Wasser aus (D4). Säubern Sie den Tank, setzen Sie den Deckel auf und setzen Sie den Tank (D5) (D6) wieder korrekt ein.

HINWEIS:

- Reinigen Sie den Wassertank erforderlichenfalls mit sauberem Wasser. Verwenden Sie keine Lösungsmittel, Schleifmittel oder heißes Wasser.
- Den im Wassertank befindlichen Schwimmer nicht entfernen oder beschädigen, da das Gerät ansonsten nicht einwandfrei funktionieren kann.
- Der Deckel muss ordentlich aufgesetzt sein.
- Die Voll-Kontrollleuchte leuchtet auf, wenn der Tank nicht ordentlich eingesetzt ist.

REINIGUNG

REINIGUNG LUFTEINLASSGITTER (Abb. I)

Bei verstaubtem Filter sind der Luftstrom und die Leistung des Geräts beeinträchtigt. Säubern Sie den Luftfilter alle zwei Wochen.

- Schalten Sie das Gerät aus und entnehmen Sie den Filter. (I1)
- Reinigen Sie den Nanosilber-Filter nur mit einem Staubsauger oder spülen Sie ihn unter Wasser (bei weniger als 40°C) ab. (I2) Nach dem Abspülen trocknen Sie ihn vollständig in einem schattigen Bereich.
- Setzen Sie den Filter wieder ein.

OBERFLÄCHE REINIGEN

- Schalten Sie das Gerät aus, warten Sie, bis sich der Lüfter ausschaltet, und ziehen Sie dann den Stecker.
- Reinigen Sie die Außenseite des Geräts mit einem weichen, feuchten Tuch.
- Trocknen Sie es danach ordentlich ab.
- Um Schäden zu vermeiden, waschen Sie das Gerät nicht mit Wasser und lassen Sie kein Wasser in den Lufteinlass oder Luftauslass eindringen.

⚠️ WARNHINWEIS

- Verwenden Sie NIE Benzin, Lösungsmittel, Chemikalien oder Poliermittel, da ansonsten die Oberfläche beschädigt werden könnte.

5. LANGFRISTIGE AUFBEWAHRUNG

Nach jeder Saison bzw. immer dann, wenn Sie das Gerät über einen längeren Zeitraum nicht mehr benötigen, wird die folgende Vorgehensweise empfohlen.

- Schalten Sie das Gerät aus, warten Sie, bis sich der Lüfter ausschaltet, und ziehen Sie dann den Stecker.
- Entleeren und trocknen Sie den Wassertank. Lassen Sie das Gerät rund einen Tag trocknen.
- Reinigen Sie den Filter und das Gerät. Bedecken Sie das Gerät, damit es nicht verstaubt. Lagern Sie es aufrecht an einem kühlen trockenen Ort. Setzen Sie es NICHT direktem Sonnenlicht aus.

⚠️ VORSICHT:

- Das Gerät IMMER in vertikaler Position verstauen.
- KEINE schweren Gegenstände auf das Gerät stellen.

6. FEHLERBEHEBUNG

| SYMPTOM | URSACHE | LÖSUNG |
|--|---|---|
| Das Gerät funktioniert nicht. | <ul style="list-style-type: none"> Keine Stromversorgung. Der Netzstecker ist nicht richtig mit der Steckdose verbunden. Die Kontrollleuchte, die anzeigt, dass der Tank voll ist, LEUCHTET. Der Wassertank ist voll. | <ul style="list-style-type: none"> Warten, bis der Strom wieder verfügbar ist. Den Netzstecker richtig mit der Steckdose verbinden. Den Wassertank leeren. |
| Das Gerät entfeuchtet nicht. | <ul style="list-style-type: none"> Der Wassertank ist voll. Der Wassertank wurde nicht korrekt eingesetzt. Der Luftfilter ist verstopft. Die Temperatur in dem Raum, wo der Trockner steht, ist zu niedrig. Die relative Luftfeuchtigkeit in dem Raum, wo der Trockner steht, ist zu niedrig. | <ul style="list-style-type: none"> Den Wassertank leeren. Den Wassertank in die richtige Position bringen. Den Filter reinigen. Das Gerät trocknet nicht unter 1 °C; bei dieser Temperatur ist höchstwahrscheinlich sowieso keine zu entfernende Feuchtigkeit in der Luft vorhanden. Der Trockner trocknet die Luft auf die eingestellte relative Luftfeuchtigkeit und schaltet dann in den Nur-Lüfter-Modus, bis die relative Luftfeuchtigkeit wieder den eingestellten Wert überschreitet. |
| Der Trockner arbeitet, verringert die relative Luftfeuchtigkeit aber unzureichend, bzw. es ist wenig Wasser im Tank. | <ul style="list-style-type: none"> Das Haus ist zu groß. Es gibt zu viele Feuchtigkeitsquellen. Baden, Waschen, Wäschetrocknen und Kochen entlassen Feuchtigkeit in die Luft. Butangasheizer können zu viel Feuchtigkeit abgeben. Der Luftfilter ist verschmutzt, der verringerte Luftstrom beeinträchtigt die Leistung. | <ul style="list-style-type: none"> Empfohlen wird, einen Trockner mit höherer Kapazität zu nutzen. Empfohlen wird, einen Trockner mit höherer Kapazität zu nutzen. Erwägen Sie die Verwendung einer anderen Wärmequelle statt eines Butangasheizers. Den Filter reinigen. |
| Der Trockner bläst warme Luft aus. | <ul style="list-style-type: none"> Die getrocknete Luft wird im Zuge des Trocknungsprozesses über ein Heizelement geführt, bevor sie in den Raum geblasen wird. | <ul style="list-style-type: none"> Dies ist normal, denn ein Trockner ist kein Luftkühler. |
| Der Trockner macht Lärm. | <ul style="list-style-type: none"> Der Luftfilter ist verschmutzt, oder das Gerät steht auf einer unebenen Fläche. | <ul style="list-style-type: none"> Reinigen Sie den Filter und/oder stellen Sie den Trockner auf eine ebene Fläche. Ein Trockner macht auf Holzboden mehr Geräusche als auf einem Teppich. |
| Der Lüfter arbeitet nach dem Ausschalten weiter. | <ul style="list-style-type: none"> Der Lüfter kühlt den internen Heizer. | <ul style="list-style-type: none"> Dies ist normal: Der Lüfter läuft nach dem Abschalten noch rund zwei Minuten weiter. Ziehen Sie den Stecker erst dann, nachdem sich der Lüfter ausgestellt hat. |

| SYMPTOM | URSACHE | LÖSUNG |
|---|--|---|
| Kontrollleuchte / Anzeige geringer Feuchtigkeit (C7) leuchtet | <ul style="list-style-type: none"> - Der Luftfilter ist verstopft. - Lufteinlass oder Luftauslass ist blockiert. - Feuchtigkeit im Raum ist zu niedrig. | <ul style="list-style-type: none"> - Das Lufteinlassgitter reinigen. - Lufteinlass und Luftauslass von Blockierungen befreien. - Warten Sie rund 30 Minuten, damit sich das Gerät abkühlen kann, und schalten Sie es dann in einem Raum mit einer Feuchtigkeit über 35 % wieder ein. |

BEVOR SIE DEN KUNDENDIENST KONTAKTIEREN

Bei folgenden Symptomen handelt es sich nicht um Defekte.

| | | |
|---|---|---|
| Bei der ersten Nutzung verströmt der Trockner einen Geruch | ⇒ | Der Geruch kommt daher, dass Zeolith Gerüche von Zigaretten, Kosmetika, Baustoffen u. ä. absorbiert und wieder abgibt, wenn das Trocknungsmittel erwärmt wird. Dies ist normal, dauert nicht lange und ist kein Zeichen einer Funktionsstörung. |
| In der Phase der ersten Nutzung muss es häufiger geleert werden | ⇒ | Da der Raum trockener wird, sammelt der Trockner weniger Wasser. |

7. TECHNISCHE DATEN

| | |
|----------------------------|----------------------------|
| MODELL | TD-ZB80 |
| ENTFEUCHTUNGSKAPAZITÄT | 8 L/D (20 °C/60% rh) |
| STROMQUELLE | Einphasig 220~240 V, 50 Hz |
| STROMVERBRAUCH | 620 W (High) / 350 W (Low) |
| BETRIEBSSTROM | 2,7 A |
| WASSERTANKKAPAZITÄT | 4,0 L |
| BETRIEBSTEMPERATUR BEREICH | 1°C ~ 40°C |
| ABMESSUNGEN (B x H x T) | 350 x 506 x 240 mm |
| GEWICHT | 7,2 kg |

EINGESCHRÄNKTE GARANTIE

TOYOTOMI CO., LTD. (TOYOTOMI) garantiert, dass jedes Produkt und alle hierfür vom Unternehmen verkauften Teile fehlerfrei sind in Bezug auf Materialien und Ausführung, unter normalen Einsatz- und Wartungsbedingungen während VIERUNDZWANZIG (24) MONATEN ab dem Zeitpunkt der Lieferung an den ursprünglichen Käufer im Einzelhandel unter Anwendung der folgenden Garantiebedingungen:

DURCH DIE GARANTIE ABGEDECKT:

Die Garantie deckt das Produkt und alle Teile des Produkts, die fehlerhaftes Material oder eine fehlerhafte Ausführung aufweisen.

DURCH DIE GARANTIE NICHT ABGEDECKT:

Diese Garantie deckt keine Fehler, die auf die Nachlässigkeit Dritter zurückzuführen sind; auf eine Installation, einen Betrieb oder eine Wartung, die nicht im Einklang mit der Gebrauchsanweisung stehen (Betriebs- und Wartungsanweisungen liegen jedem neuen Gerät bei); unsachgemäßen Gebrauch; Unfälle; Veränderungen; den Einsatz von nicht zugelassenen oder nicht den Normen entsprechenden TOYOTOMI-Ersatz- und Zubehörteilen; elektrische Fehlfunktionen, z. B. aufgrund von Überspannung, Kurzschlüssen usw.; unsachgemäße Installation oder Reparatur durch andere als eine spezialisierte und von TOYOTOMI angegebene Servicestelle.

DURCH DIE GARANTIE ABGEDECKTE PERSONEN:

Der ursprüngliche Käufer im Einzelhandel.

WAS WIR IM GARANTIEFALL TUN:

TOYOTOMI wird nach eigenem Ermessen alle fehlerhaften Teile entweder kostenlos reparieren oder ersetzen, die im Rahmen dieser eingeschränkten Garantie abgedeckt sind, wobei das Gerät beim nächstgelegenen autorisierten Händler oder Vertriebspartner von TOYOTOMI eingereicht werden muss.

WAS SIE FÜR EINE INANSPRUCHNAHME DER GARANTIE TUN MÜSSEN: Das fehlerhafte Produkt oder die Teile bei einem autorisierten Händler oder Vertriebspartner von TOYOTOMI zusammen mit dieser EINGESCHRÄNKTEN GARANTIE einreichen. Wenn dieser Service vor Ort nicht angeboten wird, kontaktieren Sie bitte unsere KUNDENDIENSTABTEILUNG unter:

TOYOTOMI EUROPE SALES B.V.

E-MAIL: info@toyotomi.eu

INTERNET: www.toyotomi.eu

DAS WEITER OBEN GESAGTE BEINHÄLTET ALLE VERPFLICHTUNGEN UND DIE GESAMTE HAFTUNG VON TOYOTOMI IN BEZUG AUF DIE QUALITÄT DER VON TOYOTOMI GELIEFERTEN PRODUKTE. ALLE ANDEREN GARANTIEEN, AUSDRÜCKLICH ODER STILLSCHWEIGEND, EINSCHLIESSLICH DER GEBRAUCHSTAUGLICHKEIT ODER DER EIGNUNG FÜR EINEN BESTIMMTEN ZWECK, SIND NICHT ANWENDBAR. TOYOTOMI HAFTET NICHT FÜR DEN VERLUST DER EINSATZFÄHIGKEIT DES PRODUKTS, DIE UNANGEMESSENHEIT, VERLUSTE ODER ANDERE SCHÄDEN, DIE DIREKT ODER INDIREKT AUS DEM GEBRAUCH BZW. DEM FEHLERHAFTEN GEBRAUCH DES PRODUKTS RESULTIEREN ODER SCHÄDEN BASIEREND AUF ODER ZURÜCKFÜHRBAR AUF DEFECTE IM PRODUKT.

Niemand außer TOYOTOMI ist befugt, diese beschränkte Garantie zu erweitern oder die Bedingungen in jeglicher Weise zu ändern.

In manchen Ländern ist der Ausschluss oder die Begrenzung von Neben- oder Folgeschäden für die Dauer einer impliziten Garantie nicht zugelassen, d. h. dieser Ausschluss oder diese Begrenzungen gelten möglicherweise nicht für Sie. Im Rahmen dieser beschränkten Garantie haben Sie bestimmte Rechtsansprüche und möglicherweise je nach Land auch andere Rechte.

OVERZICHT

Het apparaat dient het hele jaar door, zelfs in de winter, te zorgen voor ontvochtiging. Dit model maakt geen gebruik van een compressor maar van een adsorptie droogmiddel. Hierdoor wordt de werking van het apparaat niet beïnvloed door de kamertemperatuur. Ontvochtigers die gebruik maken van een adsorptie droogmiddel bevatten geen schadelijke gassen en zijn dus milieuvriendelijk. De lucht wordt gedroogd en zorgt voor een comfortabel gevoel, ook als het buiten vochtig of regenachtig is. Meubels, stoffen en kleding blijven in goede conditie en uw wasgoed is eenvoudig en snel te drogen. De werking van een luchtontvochtiger met een adsorptie droogmiddel is ook geluidlozer dan die van een compressortype. U kunt uw was 's nachts laten drogen, zodat het 's ochtends droog is. Het apparaat beschikt over een functie voor automatische uitschakeling die kan worden ingesteld op 2, 4 of 8 uur. Deze mogelijkheid zorgt voor meer gebruiksgemak, vooral 's nachts.

FUNCTIES

1. ONTVOCHTIGER ZONDER COMPRESSOR

Dit model maakt gebruik van rotortechnologie op basis van adsorptie droogmiddel, bevat geen schadelijke gassen, is milieuvriendelijk en maakt weinig geluid.

2. AUTOMATISCHE WERKING

Nadat de gewenste functie is ingesteld, zorgt de sensor dat de luchtvochtigheid in de kamer automatisch wordt geregeld. De ingestelde functie blijft in het geheugen opgeslagen, totdat het apparaat wordt losgekoppeld. Na stroomuitval blijven de instellingen actief die voor de stroomuitval waren geselecteerd.

3. MOGELIJKHEID VOOR HET DROGEN VAN WAS

Dankzij deze optie wordt was die in de kamer is opgehangen snel droog. U kunt afhankelijk van de hoeveelheid was, kiezen voor de optie Turbo Dry (snel drogen) of voor de optie Saving Dry (energiebesparend).

4. ROTERENDE LAMELLEN

Er zijn drie mogelijke hoeken voor de werking; brede hoek (180°), voorwaartse hoek (80°) of opwaartse hoek (100°). Dankzij de roterende lamellen wordt wasgoed gelijkmatig en snel droog.

5. TIMER:

Het apparaat schakelt uit na de ingestelde tijd (2, 4, 8 uur).

6. ANTIBACTERIEEL FILTER

De nanozilverdeeltjes in het filter vernietigen direct bacteriën die met het filter in aanraking komen. De luchtkwaliteit in uw huis of kantoor wordt verbeterd.

1. BESCHRIJVING

Afb. A VOORZIJDE

- A1 Handgreep
- A2 Breed/ beperkt verstelbare lamellen
- A3 Aanzuigrooster (voorfilter)
- A4 Luchtinlaat

Afb. B ACHTERZIJDE

- B1 Lamellen
- B2 Luchtafvoer
- B3 Bedieningspaneel
- B4 Watertank
- B5 Peilglas
- B6 Waterafvoer voor doorlopende afvoer
- B7 Stroomkabel
- B8 Stekker

Afb. C BEDIENINGSPANEEL

- C1 Aan/uit-toets
- C2 Toets voor automatisch drogen
- C3 Toets voor drogen van wasgoed
- C4 Toets voor automatische bediening lamellen
- C5 Timertoets
- C6 Indicatielampje (het lampje licht op als de tank vol is met water)
- C7 Controlelampje luchtvochtigheid
- C8 Lampje timer (2, 4, 8 uur)
- C9 Instellampje brede lamellen
- C10 Instellampje opwaartse lamellen
- C11 Instellampje voorwaartse lamellen
- C12 Lampje sneldroogfunctie
- C13 Lampje energiebesparende functie
- C14 Lampje droogfunctie hoge luchtstroom
- C15 Lampje droogfunctie lage luchtstroom
- C16 Lampje droogfunctie automatische luchtstroom

2. VEILIGHEIDSTIPS

BELANGRIJK

- Neem vóór ingebruikneming de gebruiksaanwijzing zorgvuldig door.
- Het apparaat dient gebruikt te worden bij een kamertemperatuur tussen 1°C en 40°C.

⚠ WAARSCHUWING

Dit apparaat is alleen bestemd voor huishoudelijk gebruik. Gebruik voor andere doeleinden wordt niet door de fabrikant aangeraden en kan brand, elektrische schokken, letsel of schade veroorzaken. Bij het gebruik van elektrisch apparaten dienen de volgende algemene veiligheidsvoorschriften in acht te worden genomen:

- Gebruik het apparaat NIET als de stekker of kabel is beschadigd na storing, nadat het apparaat is gevallen of schade heeft opgelopen. Breng het beschadigde apparaat voor onderzoek of reparatie naar een erkend servicepunt.
- Om schade te voorkomen dient dit apparaat altijd in een verticale positie te worden gehouden. Plaats het apparaat op een stabiele en vlakke ondergrond.
- Controleer voor ingebruikname of de voltage in het huis gelijk is aan de opgegeven specificaties van het apparaat.
- Zorg ervoor dat de luchtinlaat en de luchtafvoer vrij zijn van blokkades en niet worden afgedekt.
- Zorg ervoor dat het apparaat NIET te dicht bij gordijnen of andere objecten wordt geplaatst - zorg voor een minimale afstand van 40 cm.
- Als u natte kleren, die in de kamer hangen, wilt drogen en u gebruikt hiervoor de droogfunctie, zorg er dan voor dat het vocht uit de kleding niet op het apparaat kan druppelen.
- Plaats niets op de bovenkant van het apparaat en dek het apparaat tijdens gebruik niet af.
- Dit product is ALLEEN bedoeld voor huishoudelijk gebruik en beperkt gebruik in werkruimtes. Dit product is niet bedoeld voor gebruik buitenshuis of voor commerciële en industriële doeleinden.
- Voorkom elektrische schokken en dompel het apparaat, de stekker of de kabel NIET onder in water of besproei met vloeistoffen.
- Haal de stekker NOOIT uit het stopcontact, voordat u het apparaat hebt uitgeschakeld met de aan/uit-toets "Power", hierdoor kan schade aan het apparaat ontstaan.
- Ontkoppel het apparaat altijd als u het niet gebruikt of als u het wilt verplaatsen. Trek de stekker uit het stopcontact om het apparaat los te koppelen. Trek nooit aan de kabel.
- Leeg altijd eerst de watertank voordat u het apparaat opbergt.
- Als u de ontvochtiger voor een actieve verwarming plaatst, dan kan het zijn dat de ontvochtiger geen water verzamelt doordat de radiator warmte afgeeft.
- Zorg ervoor dat stroomkabels NIET onder tapijten, kleedjes of matjes lopen. Zorg ervoor dat mensen niet kunnen struikelen over het snoer.
- Gebruik of plaats het apparaat NOOIT in direct zonlicht.
- Ga voor reparatie van het apparaat naar een erkende vakman. Door ondeskundig uitgevoerde reparaties kan er schade aan het apparaat of eigendommen ontstaan, er kan letsel worden veroorzaakt en de garantie kan komen te vervallen.
- Vermijd indien mogelijk het gebruik van verlengsnoeren, dit kan leiden tot oververhitting en kans op brand. Gebruik alleen een verlengsnoer als u zeker weet dat er geen beschadigingen zijn aan dit snoer.
- Gebruik het apparaat NIET zonder luchtfilter en zorg ervoor dat het filter schoon is, zodat er geen storingen ontstaan en de garantie niet komt te vervallen.
- Dit apparaat kan gebruikt worden door kinderen vanaf 8 jaar en ouder, door personen met fysieke, zintuiglijke of verstandelijke beperkingen of door personen met gebrek aan ervaring en kennis, mits zij onder toezicht staan of instructies hebben gekregen over het gebruik van het apparaat en mits zij begrijpen wat de mogelijke gevaren zijn.
- Kinderen mogen niet met het apparaat spelen.
- Kinderen mogen het apparaat niet schoonmaken of onderhoud uitvoeren als er geen toezicht is.

3. GEBRUIK

HET APPARAAT INSTALLEREN (Afb. F)

- Plaats het apparaat rechtop en op een stabiele en vlakke ondergrond.
- Zorg ervoor dat het apparaat op een veilige afstand wordt geplaatst van muren of meubels (Afb. F1).
- Zorg voor een minimale afstand van 40 cm tussen de luchtafvoer van het apparaat en natte kleding, zodat er geen vocht op het apparaat kan druppelen.

▲ LET OP

- Zorg voor voldoende ruimte aan de bovenkant. (F2)
- Steek GEEN kleine voorwerpen in het apparaat, dit kan tot beschadiging en kortsluiting leiden. (F3)
- Verwijder de emmer NIET tijdens gebruik, dit kan lekkage veroorzaken. (F4)
- Zorg ervoor dat de tank leeg is en correct aangesloten. Het indicatielampje gaat knipperen als de tank vol is of niet correct aangesloten en het apparaat schakelt automatisch uit. (F4)

AUTOMATISCHE DROOGFUNCTIE

HANDELINGEN:

1. DE AAN/UIT-TOETS "POWER" INSCHAKELEN.

2. DRUK DE TOETS IN VOOR AUTOMATISCH DROGEN

Druk de toets (C2) "Auto Dry" in voor automatisch drogen en stel naar keuze in op "Auto", "Low" of "High" (automatisch, laag of hoog).

De optie AUTO (C16)

De relatieve luchtvochtigheid in de ruimte is aangenaam.

Het apparaat houdt de relatieve luchtvochtigheid in de ruimte automatisch op een niveau tussen 45-50%rh met een hoge of lage ventilatorsnelheid.

De optie LOW (C15)

Het apparaat werkt met lage ventilatorsnelheid.

Het apparaat werkt automatisch met lage ventilatorsnelheid en weinig verwarming.

De optie HIGH (C14)

Sneldroogfunctie om condensatie te voorkomen.

Het apparaat houdt de relatieve luchtvochtigheid in de ruimte automatisch op een niveau tussen 35-40%rh om condensatie in de ruimte te voorkomen.

3. DRUK DE TOETS IN VOOR AUTOMATISCHE BEDIENING LAMELLEN

Druk de toets (C4) "Swing" in voor om de gewenste hoek te selecteren (C9, C10, C11). Raadpleeg de uitgebreide gebruiksaanwijzing hieronder voor meer informatie.

4. APPARAAT UITSCHAKELEN

Druk de toets (C1) "Power" in en alle lampjes gaan uit.

LET OP: De ventilator blijft nog enkele minuten actief, nadat u het apparaat hebt uitgeschakeld met de aan/uit-toets. Dankzij deze standaard instelling blijven de onderdelen binnenin het apparaat gekoeld en beschermd. Verwijder de stekker tijdens deze twee minuten NIET uit het stopcontact; wacht totdat de ventilator is gestopt.

DROOGFUNCTIE

HANDELINGEN:

1. DE AAN/UIT-TOETS "POWER" INSCHAKELEN.

2. DRUK DE TOETS IN VOOR DROGEN

Druk de toets (C3) "Laundry Mode" in voor drogen en stel naar keuze in op "Saving" of "Turbo" (energiebesparend of sneldrogen).

De optie SAVING (C13)

Geschikt voor kleinere hoeveelheden wasgoed of om in de zomer energie te besparen.

Afhankelijk van de kamertemperatuur schakelt het apparaat automatisch over van warme lucht naar koele lucht. Helpt om op energiebesparende wijze en met een lagere kamertemperatuur uw wasgoed te drogen.

De optie TURBO (C12)

Geschikt voor grotere hoeveelheden wasgoed of om in de winter uw wasgoed op effectieve wijze te drogen.

Het apparaat zorgt automatisch voor warme lucht, waardoor uw kleding sneller droogt.

3. DRUK DE TOETS IN VOOR AUTOMATISCHE BEDIENING LAMELLEN

Druk de toets (C4) "Swing" in voor om de gewenste hoek te selecteren. (C9, C10, C11) Raadpleeg de uitgebreide gebruik-

saanwijzing hieronder voor meer informatie.

4. APPARAAT UITSCHAKELEN

Druk de toets (C1) "Power" in en alle lampjes gaan uit.

LET OP: De ventilator blijft nog enkele minuten actief, nadat u het apparaat hebt uitgeschakeld met de toets "Power". Dankzij deze standaard instelling blijven de onderdelen binnenin het apparaat gekoeld en beschermd. Verwijder de stekker tijdens deze twee minuten NIET uit het stopcontact; wacht totdat de ventilator is gestopt.

ROTERENDE LAMELLEN (Afb. G)

Druk de toets in voor roterende lamellen (C4), stel de gewenste hoek in en het instellampje zal gaan branden.

"Front" → "Up" → "Wide" → Hold (het lampje gaat uit) → "Front" FRONT (G1).....

De roterende lamellen draaien naar voren en hebben een bereik van ongeveer 80°.

UP (G2).....

De roterende lamellen draaien omhoog en hebben een bereik van ongeveer 100°.

WIDE (G3).....

De roterende lamellen draaien breed open en hebben een bereik van ongeveer 180°.

HOLD.....

De werking van de roterende lamellen wordt stopgezet en het lampje gaat uit door de toets voor automatische bediening van de lamellen in te drukken.

De functies voor de lamellen zijn geschikt om wasgoed, kleding en muren sneller te drogen. Het droogproces wordt versneld doordat watermoleculen in aanraking komen met de luchtstroom en daarvoor sneller uit het te drogen voorwerp verdwijnen.

BREED / BEPERKT VERSTELBARE LAMELLEN (Afb. H)

Indien U de "Front" beweegbare lamellen kiest en deze naar buiten toe beweegt (H1), wordt de luchtstroom nauwer.

Indien U de "Front" beweegbare lamellen kiest en deze naar binnen toe beweegt (H2), wordt de luchtstroom wijder.

Indien U de "Up" beweegbare lamellen kiest en deze naar buiten toe beweegt (H1), wordt de luchtstroom wijder.

Indien U de "Up" beweegbare lamellen kiest en deze naar binnen toe beweegt (H2), wordt de luchtstroom nauwer.

Indien U de "Wide" beweegbare lamellen kiest verandert de luchtstroom naar gelang de richting van de lamellen.

TIMER

Automatisch uitschakelen:

Druk de toets (C5) "Off Timer" in en selecteer de gewenste looptijd (2, 4 of 8 uur). Het apparaat zal na afloop van de geselecteerde looptijd automatisch uitschakelen. De resterende tijd zal tijdens de looptijd door de lamp (4 of 2 uur) worden weergegeven.

Het apparaat zal gewoon actief blijven als er geen tijd is ingesteld (het lampje brandt niet), behalve als de watertank al vol is.

2hours → 4hours → 8hours → Continuus (lampje brandt niet) → 2hours

DOORLOPENDE WATERAFVOER (Afb. E)

Gebruik een slang met een binnendiameter van 12 mm en een buitendiameter van 14 mm-16 mm voor doorlopende afvoer.

1. Verwijder de watertank.

2. Verwijder de uitbreekpoort aan de achterkant met een schroevendraaier. (E1) Duw de stop (E4) voor de afvoerbuis met uw vinger naar beneden (Afb. E2). Sluit de slang in de opening aan op de afvoerbuis (E5) (Afb. E3).

3. Verwijder het deksel van de tank en plaats de watertank terug in het apparaat.

Het lampje dat aangeeft dat de bak vol is, gaat branden als de watertank niet is teruggeplaatst. Het apparaat kan dan niet worden ingeschakeld.

4. Er mogen geen knikken in de slang zitten die op de afvoer is aangesloten. (E6, E7, E8)

Opmerking:

1. De watertank moet correct zijn aangesloten voordat u de slang aansluit.
2. Verwijder de slang voordat u de watertank verwijderd.
3. Verwijder de slang uit de opening van de doorlopende afvoer. Zorg ervoor dat het deksel op de watertank is geplaatst en schakel het apparaat weer in.

4. DE WATERTANK LEGEN (Afb. D)

1. Het indicatielampje zal gaan branden als de tank vol is en het apparaat zal na enkele minuten automatisch worden uitgeschakeld.

OPMERKING: Verwijder de watertank niet en verplaats het apparaat niet als het apparaat in gebruik is, dit kan namelijk zorgen voor lekkage, schade aan het apparaat of u kunt onder stroom komen te staan.

2. Pak de bak aan de onderkant beet om de watertank (D1) te verwijderen en verplaats de tank met de handgreep (D2).
3. Verwijder eerst het deksel van de bak (D3) en gooi daarna het water weg (D4). Maak de bak schoon, plaats het deksel en zet de bak (D5) (D6) terug in de juiste positie.

OPMERKING:

- Maak de bak indien nodig schoon met schoon water. Gebruik GEEN oplosmiddelen, schurende reinigingsmiddelen of heet water.
- Verwijder of beschadig de vlotter in de watertank niet, dit beïnvloedt de werking van het apparaat.
- Het deksel van de bak moet correct zijn aangebracht.
- Het lampje dat aangeeft dat de bak vol is, gaat branden als de watertank niet op de juiste manier is geplaatst.

SCHOONMAKEN

HET AANZUIGROOSTER (Afb. I) SCHOONMAKEN

De werking van het apparaat en de luchtstroom nemen af als het filter met stof is bedekt. Het wordt aangeraden om het luchtfilter om de twee weken schoon te maken en te controleren.

1. Schakel het apparaat uit en verwijder het filter. (I1)
2. Maak het filter met nanozilverdeeltjes alleen met een stofzuiger schoon of neem af met water (kouder dan 40°C). Laat het apparaat drogen in de schaduw als u het hebt schoongemaakt met water.
3. Plaats het filter terug in de juiste positie.

DE BUITENKANT SCHOONMAKEN

1. Schakel het apparaat uit, wacht tot de ventilator is gestopt en trek de stekker uit het stopcontact.
2. Maak de buitenkant van het apparaat schoon met een zachte vochtige doek.
3. Droog het schone apparaat zorgvuldig met een handdoek.
4. Voorkom schade aan het apparaat; maak het apparaat niet schoon met water en zorg dat er geen water in de luchtinlaat en luchtafvoer druppelt.

⚠ WAARSCHUWING

- Gebruik NOOIT benzine, oplosmiddelen, chemische producten of poetsmiddelen, dit kan de buitenkant beschadigen.

5. LANGDURIG OPBERGEN

Het volgende wordt aanbevolen aan het eind van elk seizoen, of als u gedurende een langere periode niet van plan bent om uw apparaat te gebruiken.

1. Schakel het apparaat uit, wacht tot de ventilator is gestopt en trek de stekker uit het stopcontact.
2. Maak de watertank schoon en droog. Laat het apparaat een dag staan om leeg te lopen.
3. Maak het filter en het apparaat schoon. Dek het apparaat af om stofvorming te voorkomen. Berg het apparaat verticaal op in een koele en droge omgeving. Stel het apparaat NIET bloot aan direct zonlicht.

⚠ LET OP

- Berg het apparaat ALTIJD verticaal op.
- Plaats GEEN zware objecten op het apparaat.

6. PROBLEMEN

| INDICATIES | OORZAAK | OPLOSSING |
|--|--|--|
| Het apparaat werkt niet. | - Stroomuitval - De stekker zit niet goed in het stopcontact. - Het lampje geeft aan dat de tank vol is. De tank is vol. | - Wacht tot de elektriciteit het weer doet. - Doe de stekker weer in het stopcontact. - Verwijder het afvoerwater uit de watertank. |
| De ontvochtiger van het apparaat werkt niet. | - De watertank is vol. - De watertank is niet op de juiste manier aangesloten. - Het luchtfilter is verstopt. - De temperatuur in de ruimte waar de ontvochtiger is geplaatst is te laag. - De relatieve luchtvochtigheid in de ruimte waar de ontvochtiger is geplaatst is te laag. | - Verwijder het water uit de watertank. - Plaats de watertank in de juiste positie. - Vervang het luchtfilter. - Het apparaat ontvochtigt niet onder 1°C, het is echter ook erg onwaarschijnlijk dat er bij die temperatuur vocht is dat moet worden verwijderd. - De ontvochtiger blijft ontvochtigen tot de ingestelde relatieve luchtvochtigheid is bereikt en schakelt daarna over op de ventilator tot de relatieve luchtvochtigheid weer boven het ingestelde niveau komt. |
| De ontvochtiger is actief, maar de relatieve luchtvochtigheid gaat niet voldoende omlaag / er zit bijna geen water in de tank. | - Het huis is te groot. - Er zijn te veel vochtveroorzakende bronnen. Douchen, wassen, kleren drogen en koken zorgen allemaal voor vocht in de lucht. Het kan zijn dat de ontvochtiger de hoeveelheid vocht, die door gasverwarming ontstaat, niet aan kan. - Het luchtfilter is verstopt en de verminderde luchttoevoer beïnvloedt de werking van het apparaat. | - Het wordt aangeraden om een ontvochtiger te gebruiken met een grotere capaciteit. - Het wordt aangeraden om een ontvochtiger te gebruiken met een grotere capaciteit. Vervang indien mogelijk de gasverwarming door een andere warmtebron. - Maak het luchtfilter schoon. |
| Er komt warme lucht uit de ontvochtiger. | - De droge lucht gaat tijdens het ontvochtigingsproces eerst langs een verwarmingselement voordat de lucht de kamer in wordt geblazen. | - Dit is normaal, een ontvochtiger is geen airconditioner. |
| De ontvochtiger maakt geluid. | - Het luchtfilter is verstopt of het apparaat staat op een oneven ondergrond. | - Maak het filter schoon en plaats het apparaat op een vlakke ondergrond. -De ontvochtiger maakt meer geluid op een houten vloer dan op een tapijt. |
| De ventilator blijft draaien nadat het apparaat is uitgeschakeld. | - De ventilator koelt het interne verwarmingselement. | - Dit is normaal. De ventilator blijft nog zo'n twee minuten draaien nadat u het apparaat hebt uitgeschakeld. Trek nooit de stekker uit het stopcontact voordat de ventilator gestopt is. |

| INDICATIES | OORZAAK | OPLOSSING |
|---|---|---|
| Controlelampje luchtvochtigheid (C7) brandt | <ul style="list-style-type: none"> - Het filter is verstopt. - Er zit iets verstopt in de luchtinlaat of de luchtafvoer. - De vochtigheid in de kamer is laag. | <ul style="list-style-type: none"> - Maak het filter van de luchtinlaat schoon. - Verwijder datgene wat de luchtinlaat of luchtafvoer verstopt. - Laat het apparaat ongeveer 30 minuten afkoelen en schakel het opnieuw aan in een kamer met een vochtigheid van boven de 35%. |

VOORDAT U HULP INROEPT

Dit zijn geen mankementen.

| | |
|--|---|
| De ontvochtiger geeft geur af tijdens het eerste gebruik | ⇒ Deze geur ontstaat doordat zeolieten geuren van sigaretten, cosmetica en bouwmaterialen absorberen die weer vrijkomen als het droogmiddel wordt verwarmd. Dit is normaal, zal niet lang aanhouden en is geen storing. |
| Bij het eerste gebruik moet het apparaat vaak geleegd worden | ⇒ De ontvochtiger verzamelt minder water naarmate de ruimte droger wordt. |

7. SPECIFICATIES

| MODEL | TD-ZB80 |
|-----------------------------|---|
| LUCHTONTVOCHTIGINGSVERMOGEN | 8 L/D (20°C/60% relatieve luchtvochtigheid) |
| STROOMVOORZIENING | Monofasig 220V~240V, 50Hz |
| ENERGIEVERBRUIK | 620 W(hoog) / 350 W (laag) |
| AARDLEKSTROOM | 2,7 A |
| CAPACITEIT WATERTANK | 4,0 L |
| GEBRUIKSTEMPERATUUR BEREIK | 1°C ~ 40°C |
| AFMETINGEN (BxHxD) | 350 x 506 x 240 mm |
| GEWICHT | 7,2 kg |

BEPERKTE GARANTIE

TOYOTOMI CO., LTD. (TOYOTOMI) garandeert dat bij normaal gebruik en onderhoud alle verkochte producten en delen daarvan gedurende VIERENTWINTIG (24) MAANDEN vanaf de datum van levering aan de oorspronkelijke koper in de detailhandel vrij zijn van materiaal- of productiefouten. Dit is onderhevig aan de volgende voorwaarden:

DIT VALT ONDER DE GARANTIE:

Producten of delen daarvan die materiaal- of productiefouten bevatten.

DIT VALT NIET ONDER DE GARANTIE:

Deze garantie geldt niet voor mankementen als gevolg van nalatigheid van anderen; het niet volgens de gebruiksaanwijzing installeren, bedienen of onderhouden van het apparaat (gebruiks- en onderhoudsvoorschriften worden meegeleverd bij elk nieuw apparaat); onredelijk gebruik; ongevallen; wijzigingen; gebruik van niet erkende en niet door TOYOTOMI gestandaardiseerde onderdelen en accessoires; elektrische storing, d.w.z. als gevolg van overbelasting van het stroomnet, kortsluiting enz.; onjuiste installatie; of reparatie door iemand anders dan een door TOYOTOMI aangegeven voorziening.

WIE VALT ER ONDER DE GARANTIE:

De oorspronkelijke koper in de detailhandel.

DIT DOEN WIJ:

TOYOTOMI herstelt of vervangt, naar eigen inzicht, zonder kosten alle defecte onderdelen die worden gedekt door deze beperkte garantie mits u de onderdelen naar uw dichtstbijzijnde erkende dealer of TOYOTOMI-distributeur brengt.

ZO KUNT U GEBRUIKMAKEN VAN UW

GARANTIEVOORZIENINGEN:

De defecte producten of onderdelen met deze BEPERKTE GARANTIE dienen naar een erkende dealer of TOYOTOMI-distributeur te worden gebracht. Als er bij u in de buurt geen voorziening beschikbaar is kunt u contact opnemen met onze KLANTENSERVICE via:

TOYOTOMI EUROPE SALES B.V.

E-MAIL: info@toyotomi.eu

INTERNET: www.toyotomi.eu

HET VOORGAANDE BEHANDELT ALLE VERPLICHTINGEN EN VERANTWOORDELIJKHEDEN VAN TOYOTOMI MET BETREKKING TOT DE KWALITEIT VAN DE GELEVERDE PRODUCTEN DIE HIERONDER VALLEN. ALLE ANDERE GARANTIES, EXPLICIET OF IMPLICIET, MET INBEGRIIP VAN GARANTIES OVER VERKOOPBAARHEID OF GESCHIKTHEID VOOR BEPAALDE DOELEINDEN, WORDEN UITGESLOTEN. TOYOTOMI KAN NIET AANSPAKELIJK WORDEN GEHOUDEN VOOR HET NIET KUNNEN GEBRUIKEN VAN HET PRODUCT, ONGEMAK, VERLIES OF ANDERE SCHADE DIE DIRECT OF INDIRECT VOORTKOMT UIT HET GEBRUIK OF NIET KUNNEN GEBRUIKEN VAN HET PRODUCT OF VOOR SCHADE DIE TE WIJTEN IS AAN GEBREKEN VAN HET PRODUCT.

Alleen TOYOTOMI is bevoegd om de voorwaarden van de beperkte garantie op enigerlei wijze te verlengen of te wijzigen.

Het is in sommige gebieden niet toegestaan om uitsluiting of beperking van incidentele schade of gevolgschade toe te passen of beperkingen in te stellen voor de duur van een impliciete garantie en het kan dus zijn dat deze beperkingen of uitsluitingen niet op u van toepassing zijn. Deze beperkte garantie zorgt voor specifieke wettelijke rechten en deze rechten kunnen per gebied verschillen.

INTRODUZIONE

Lo scopo del prodotto è quello di deumidificare in tutte le stagioni, anche in inverno. Invece del compressore, questo modello contiene un essiccatore.

Di conseguenza, l'unità non viene influenzata dalla temperatura ambiente. Inoltre, questo tipo di deumidificatore non utilizza gas nocivi e può quindi essere considerato ecologico.

Asciuga l'aria e assicura un comfort ottimale anche in caso di tempo umido e piovoso. Vengono mantenuti in buone condizioni anche i mobili, i tessuti e gli abiti; favorisce l'asciugatura rapida del bucato.

Il deumidificatore con essiccatore è più silenzioso del modello con il compressore; è quindi possibile fare asciugare il bucato la notte per averlo pronto la mattina successiva. La funzione "Spegnimento" può essere selezionata con un timer impostabile su 2, 4 o 8 ore: in questo modo è possibile utilizzare l'unità in modo più efficiente, soprattutto di notte.

CARATTERISTICHE DI FUNZIONAMENTO

FUNZIONAMENT

1. DEUMIDIFICATORE SENZA COMPRESSORE

Questo modello utilizza la tecnologia del rotore essiccante; è ecologico poiché non utilizza gas nocivi ed è silenzioso.

2. FUNZIONAMENTO AUTOMATICO

Dopo aver impostato la funzione desiderata, il sensore di umidità controlla automaticamente l'umidità dell'ambiente. Questo valore rimane memorizzato fin tanto che l'unità è collegata alla presa di corrente. Se manca la corrente, il dispositivo continua a funzionare con le impostazioni precedenti la mancanza di alimentazione.

3. MODALITÀ BUCATO

Impostando questa modalità, il bucato steso nella stanza si asciuga rapidamente.

È possibile selezionare la modalità Turbo Mode o Saving a seconda della quantità di bucato da asciugare.

4. ALETTA AUTO-OSCILLANTE

Possono essere selezionate 3 angolazioni: ampia (180°), frontale (80°), o superiore (100°). La modalità "Swing" (aletta auto-oscillante) è utile per accelerare l'asciugatura omogenea del bucato.

5. FUNZIONAMENTO DEL TIMER

L'unità si spegne dopo il periodo di tempo impostato (2, 4, o 8 ore).

6. FILTRO ANTI-BATTERICO

Il nano-argento incorporato nel filtro uccide i batteri, migliorando la qualità dell'aria in casa e in ufficio.

1. DESCRIZIONE

Fig. A FRONTE

- A1 Maniglia
- A2 Aletta regolabile (getto largo / mirato)
- A3 Griglia ingresso aria (pre-filtro)
- A4 Ingresso aria

Fig. B RETRO

- B1 Aletta
- B2 Uscita dell'aria
- B3 Pannello comandi
- B4 Serbatoio dell'acqua
- B5 Indicatore livello dell'acqua
- B6 Uscita dell'acqua per operazione di funzionamento in continuo
- B7 Cavo alimentazione
- B8 Spina

Fig. C PANNELLO DI CONTROLLO

- C1 Tasto di accensione
- C2 Tasto modalità asciugatura automatica
- C3 Tasto modalità bucato
- C4 Tasto Swing
- C5 Tasto Off Timer
- C6 Spia "pieno" (quando il serbatoio è pieno d'acqua, la spia si accende).
- C7 Spia indicazione umidità (controllo livello)
- C8 Spia del timer (2, 4, 8 ore)
- C9 Spia indicazione impostazione aletta getto largo
- C10 Spia indicazione impostazione aletta in alto
- C11 Spia indicazione impostazione aletta frontale

- C12 Spia indicazione bucato Turbo
- C13 Spia indicazione bucato Risparmio
- C14 Spia flusso d'aria asciugatura rapida
- C15 Spia flusso d'aria asciugatura lenta
- C16 Spia flusso d'aria asciugatura automatica

2. INDICAZIONI DI SICUREZZA

▲ IMPORTANTE

- Prima di utilizzare l'unità, leggere attentamente le istruzioni.
- L'unità può essere utilizzata quando la temperatura ambiente è tra 1°C e 40°C.

▲ ATTENZIONE

Il dispositivo è stato progettato solo per uso domestico.

Il produttore sconsiglia qualsiasi altro utilizzo, poiché potrebbe causare incendi, scosse elettriche o altre lesioni a persone e cose.

Quando si utilizzano apparecchi elettrici, è necessario seguire alcune fondamentali indicazioni di sicurezza.

- NON utilizzare l'unità con spina o cavo danneggiati, in caso di malfunzionamento o se è caduta o è stata danneggiata in qualsiasi modo.
- In questi casi, il dispositivo deve essere consegnato a un centro di assistenza autorizzato per essere controllato e riparato.
- L'unità deve sempre essere tenuta in posizione verticale per evitare danni. Posizionare l'unità su una superficie stabile e piana.
- Prima dell'uso, controllare se il voltaggio della rete elettrica corrisponde a quello indicato nelle specifiche tecniche dell'unità.
- Assicurarsi che gli ingressi e le uscite dell'aria non siano bloccati o coperti.
- NON posizionare l'unità troppo vicino a tende o ad altri oggetti; la distanza minima deve essere di 40 cm.
- Quando si utilizza la "Laundry Mode" (Modalità Bucato) per accelerare l'asciugatura di capi bagnati, tali capi devono essere tenuti a distanza di sicurezza dall'unità, per evitare che l'acqua goccioli all'interno del dispositivo.
- NON mettere MAI niente sopra l'unità e non coprirlo con nessun tipo di materiale mentre è in funzionamento.
- Questo prodotto è progettato SOLO per uso domestico o in ufficio e non per uso esterno, commerciale o industriale.
- Per evitare scosse elettriche, NON immergere l'unità, la spina o il cavo in acqua e non polverizzare con liquidi di nessun tipo.
- NON scollegare MAI il cavo di alimentazione senza aver prima spento l'unità con l'apposito tasto, poiché potrebbero verificarsi dei guasti.
- Scollegare sempre l'unità quando non è in funzionamento o quando viene spostata. Per scollegarla dalla rete elettrica, afferrare la presa e sfilarla. NON tirare MAI il cavo.
- Vuotare SEMPRE il serbatoio dell'acqua prima di riporre l'unità.
- Se il deumidificatore viene utilizzato di fronte a un radiatore caldo è possibile che non vi sia raccolta di acqua a causa del calore del radiatore.
- NON far passare il cavo di alimentazione sotto tappeti, coperte o zerbini di nessun tipo. Sistemare il cavo in modo da evitare che ci si inciampi.
- L'unità non deve MAI essere esposta alla luce diretta del sole.
- Per riparare l'unità, rivolgersi a un tecnico specializzato. Le riparazioni effettuate da personale non qualificato possono causare danni a cose e a persone e

rendere nulla la garanzia.

- Se possibile, evitare di utilizzare prolunghe che potrebbero surriscaldarsi e causare incendi. Le prolunghe possono essere utilizzate solo dopo essersi accertati delle loro perfette condizioni.
- NON utilizzare l'unità senza il filtro dell'aria e assicurarsi che tale filtro sia pulito per evitare malfunzionamenti e rendere nulla la garanzia.
- Questo dispositivo può essere utilizzato dai bambini con più di 8 anni di età e da persone con ridotte capacità fisiche, sensoriali o mentali o senza esperienza e conoscenza solo se sono controllati, se hanno ricevuto le istruzioni necessarie all'utilizzo sicuro dell'unità e se hanno compreso i rischi che tale uso comporta.
- I bambini non devono giocare con questo dispositivo.
- La pulizia e la manutenzione non devono essere effettuate dai bambini senza controllo.

3. FUNZIONAMENTO

IMPOSTAZIONE DELL'UNITÀ (Fig. F)

- Posizionare l'unità in verticale, su una superficie piana e stabile.
- Assicurarsi che l'unità sia sufficientemente lontana dalle pareti o dai mobili. (Fig. F1).
- Tenere gli abiti bagnati a una distanza minima di 40 cm dall'uscita dell'aria dell'unità per evitare che l'acqua cada all'interno.

⚠ ATTENZIONE

- Tenere spazio sufficiente come indicato sopra. (F2)
- NON inserire oggetti di piccole dimensioni nell'unità perché potrebbero causare danni e pericoli per le persone. (F3)
- NON rimuovere il serbatoio dell'acqua quando l'unità è in funzione, perché potrebbe rovesciarsi. (F4)
- Assicurarsi che il serbatoio dell'acqua sia posizionato correttamente; se è pieno o non è sistemato bene, si accende la spia "Full" (Pieno) e la macchina si ferma. (F4)

MODALITÀ ASCIUGATURA AUTOMATICA FUNZIONAMENTO

- 1. METTERE SU "ON" IL TASTO "POWER" (C1)**
- 2. PREMERE IL TASTO MODALITÀ ASCIUGATURA AUTOMATICA (AUTO DRY)**
Premere il tasto "Auto Dry" (C2) per impostare la modalità desiderata, cioè: "Auto", "Low" o "High".
Modalità AUTO (C16)
Mantiene il tasso di umidità (RH) della stanza a un livello confortevole.
L'unità mantiene automaticamente l'umidità intorno al 45%-50% con velocità automatica delle ventole alta o bassa.
Modalità LOW (bassa) (C15)
Funziona con le ventole a velocità bassa.
L'unità deumidifica automaticamente con velocità e riscaldamento bassi.
Modalità HIGH (alta) (C14)
Modalità super per evitare la condensa.
L'unità mantiene automaticamente l'umidità della stanza al 35%-40% per evitare la condensa.
- 3. PREMERE IL TASTO OSCILLAZIONE AUTOMATICA ALETTA**
Premere il tasto di oscillazione dell'aletta (C4) per selezionare l'angolo dell'aletta (C9, C10, C11). Fare riferimento alle istruzioni dettagliate riportate sotto.
- 4. ARRESTO DEL FUNZIONAMENTO**
Premere il tasto "Power" (C1): tutte le spie si spengono.

⚠ ATTENZIONE!

Dopo aver spento l'unità con il tasto Power, la ventola continua a girare per qualche minuto.
Si tratta di una procedura normale che serve per raffreddare e proteggere i componenti interni. In questi due minuti, NON togliere la spina dalla presa elettrica, ma attendere che la ventola sia completamente ferma.

MODALITÀ ASCIUGATURA BUCATO FUNZIONAMENTO

- 1. METTERE SU "ON" IL TASTO "POWER" (C1)**

- 2. PREMERE IL TASTO MODALITÀ ASCIUGATURA**

Premere il tasto "Laundry Mode" (C2) per impostare la modalità desiderata, cioè "Saving" o "Turbo".

Modalità SAVING (C13)

Quando la quantità di bucato è ridotta o in estate per risparmiare energia.

L'unità fornisce automaticamente l'aria a seconda della temperatura della stanza.

Asciuga i panni bagnati con poca potenza e a temperatura ambiente minore.

Modalità TURBO (C12)

Quando la quantità di bucato è grande o in inverno per asciugare perfettamente i panni.

L'unità fornisce automaticamente aria riscaldata per asciugare i panni più rapidamente e con maggiore potenza.

- 3. PREMERE IL TASTO OSCILLAZIONE AUTOMATICA ALETTA**
Premere il tasto di oscillazione dell'aletta (C4) per selezionare l'angolo dell'aletta. (C9, C10, C11). Fare riferimento alle istruzioni dettagliate riportate sotto.

- 4. ARRESTO DEL FUNZIONAMENTO**

Premere il tasto "Power" (C1): tutte le spie si spengono.

⚠ ATTENZIONE!

Dopo aver spento l'unità con il tasto Power, la ventola continua a girare per qualche minuto.

Si tratta di una procedura normale che serve per raffreddare e proteggere i componenti interni. In questi due minuti, NON togliere la spina dalla presa elettrica, ma attendere che la ventola sia completamente ferma.

AUTO-OSCILLAZIONE ALETTA (Fig. G)

Premendo il tasto "Swing" (C4), selezionare l'angolo di oscillazione dell'aletta; la spia di indicazione dell'impostazione dell'aletta si accende.

"Front" (Frontale) → "Up" (In alto) → "Wide" (Ampio) → Premuto (spia spenta) → "Front" (Frontale)

FRONTALE (G1).....L'aletta automatica oscilla verso l'alto, con un raggio di circa 80°.

IN ALTO (G2).....L'aletta automatica oscilla verso l'alto, con un raggio di circa 100°.

GRANDE (G3).....L'aletta automatica oscilla verso l'alto, con un raggio di circa 180°.

PREMUTO.....L'aletta automatica si ferma quando si preme il tasto Auto Louver; si spegne anche la spia.

Le modalità "Swing" (aletta automatica) sono utili per accelerare l'asciugatura del bucato, degli armadi e delle pareti perché il flusso d'aria riscalda ciò che si desidera asciugare e questo accelera il processo perché le molecole d'acqua vengono espulse più rapidamente.

ANGOLO ALETTA REGOLABILE (ampio/mirato) (Fig. H)

Se selezionate "Front" ed orientate le alette verso l'esterno (H1), il flusso d'aria sarà indirizzato verso il punto desiderato.

Se selezionate "Front" ed orientate le alette verso l'interno (H2), il flusso d'aria diventerà più ampio.

Se selezionate "Up" ed orientate le alette verso l'esterno (H1), il flusso d'aria diventerà più ampio.

Se selezionate "Up" ed orientate le alette verso l'interno (H2), il flusso d'aria sarà indirizzato verso un punto desiderato.

Se selezionate "Wide", il flusso d'aria sarà direzionato in base all'angolo di inclinazione.

FUNZIONAMENTO DEL TIMER

Auto-spegnimento.

Premere il tasto "Off Timer" (C5) per selezionare il tempo di funzionamento (2, 4, o 8 ore) (C8). L'unità si spegnerà automaticamente allo scadere del tempo selezionato. La spia (4 o 2 ore) indica il tempo rimanente.

Quando il timer non è impostato (la spia è spenta), l'unità funziona in continuo fino a quando il serbatoio dell'acqua è pieno.

2 ore → 4 ore → 8 ore → In continuo (spia spenta) → 2 ore

MODALITÀ DRENAGGIO CONTINUO (Fig. E)

Per il drenaggio continuo, utilizzare un tubo con diametro interno di 12 mm e con diametro esterno tra 14 e 16 mm.

1. Rimuovere il serbatoio dell'acqua.
2. Utilizzare un cacciavite per rimuovere il separatore sul retro. (E1)

Premere verso il basso e tenere fermo il fincorsa (E4) del tubo di drenaggio con le dita (Fig. E2). Collegare il tubo al condotto di drenaggio (E5) tramite l'apposito foro (Fig. E3).

3. Rimuovere il coperchio del serbatoio e rimettere in serbatoio dell'acqua nell'unità.
Se il serbatoio non viene reinserito nell'unità, la spia che indica il serbatoio pieno si accende e l'unità non si avvia.
4. Il condotto non deve essere piegato con angoli troppo stretti. (E6, E7, E8)

NOTA

1. Il serbatoio dell'acqua deve essere nella posizione corretta prima di collegare il condotto.
2. Togliere il condotto prima di rimuovere il serbatoio dell'acqua.
3. Togliere il tubo dal foro di drenaggio continuo. Assicurarsi di rimettere in sede il coperchio del serbatoio dell'acqua e di riavviare l'unità.

4. SVUOTARE IL SERBATOIO DELL'ACQUA (Fig. D)

1. Quando il serbatoio dell'acqua è pieno, la spia (C6) è accesa e l'unità si ferma dopo qualche minuto.

NOTA: NON spostare l'unità e non rimuovere il serbatoio dell'acqua se l'unità è ancora in funzionamento; si potrebbero verificare perdite d'acqua o scosse elettriche.

2. Rimuovere il serbatoio dell'acqua afferrandolo dalla base (D1) e sollevarlo leggermente con la maniglia (D2).
3. Togliere prima il coperchio del secchio (D3) e quindi gettare l'acqua (D4). Pulire il serbatoio dell'acqua, rimettere il coperchio e il serbatoio (D5) (D6) nella posizione corretta.

NOTA

- Se necessario, lavare il serbatoio con acqua. NON utilizzare solventi, detersivi abrasivi o acqua calda.
- NON rimuovere o danneggiare il galleggiante presente nel serbatoio, altrimenti l'unità non funzionerà correttamente.
- Il coperchio del serbatoio dell'acqua deve essere posizionato correttamente.
- Se il serbatoio non è sistemato correttamente, si accende la spia che indica che il serbatoio è pieno.

PULIZIA

PULIZIA DELLA GRIGLIA DI INGRESSO DELL'ARIA (Fig. I)

Se il filtro è sporco, il flusso d'aria e le prestazioni dell'unità si riducono. Si raccomanda di controllare e pulire il filtro dell'aria ogni 2 settimane.

1. Spegnerne l'unità e togliere il filtro. (I1)
2. Pulire il filtro in nano-argento con un aspirapolvere o lavarlo con acqua a temperatura inferiore a 40°C. (I2) Dopo il lavaggio con acqua, asciugare bene tutto.
3. Riposizionare il filtro.

PULIZIA DELLA SUPERFICIE

1. Spegnerne l'unità, aspettare che la ventola si fermi e staccare la presa di corrente dalla spina.
2. Pulire la superficie con un panno morbido e umido.
3. Asciugare con cura con un panno.
4. Per evitare danni, non lavare l'unità con acqua ed evitare che l'acqua entri nell'ingresso e nell'uscita dell'aria.

⚠ ATTENZIONE

- NON utilizzare MAI benzina, solventi, prodotti chimici o lucidanti, perché potrebbero danneggiare la superficie.

5. STOCCAGGIO PER LUNGI PERIODI DI TEMPO

Alla fine della stagione, o se si pensa di non utilizzare l'unità per lunghi periodi di tempo, si raccomanda di effettuare le seguenti procedure.

1. Spegnerne l'unità, aspettare che la ventola si fermi e staccare la presa di corrente dalla spina.
2. Lavare e asciugare il serbatoio dell'acqua. Lasciare asciugare l'unità per circa un giorno.
3. Pulire il filtro e l'unità. Coprire l'unità per evitare l'accumulo di polvere. Riporre in posizione verticale, in un luogo fresco e asciutto. NON esporre l'unità alla luce diretta del sole.

⚠ ATTENZIONE

- Riporre SEMPRE l'unità in posizione verticale.
- NON appoggiarvi oggetti pesanti.

6. SOLUZIONE DEI PROBLEMI

| PROBLEMA | CAUSA | SOLUZIONE |
|--|---|--|
| L'unità non funziona. | - Alimentazione non collegata. - La spina non è stata inserita correttamente. - L'indicatore di serbatoio pieno è acceso. Il serbatoio è pieno. | - Attendere prima di riaccendere. - Ricollegare. - Togliere l'acqua raccolta nel serbatoio. |
| Il dispositivo non deumidifica. | - Il serbatoio dell'acqua è pieno. - Il serbatoio dell'acqua non è stato riposizionato correttamente. - Il filtro dell'aria è sporco. - La temperatura nella stanza in cui il deumidificatore è attivo è troppo bassa. - L'umidità relativa nella stanza in cui il deumidificatore è attivo è troppo bassa. | - Togliere l'acqua dal serbatoio. - Rimettere il serbatoio dell'acqua nella giusta posizione. - Pulire il filtro dell'aria. - La macchina non deumidifica al di sotto di 1°C; è molto improbabile che a quella temperatura ci sia dell'umidità da eliminare. - Il deumidificatore arriva al tasso di umidità relativa impostato e poi va in modalità solo ventilatore fino a che tale tasso di umidità non supera di nuovo il livello impostato. |
| Il deumidificatore funziona, ma riduce l'umidità relativa in modo insufficiente. C'è poca acqua nel serbatoio. | - La casa è troppo grande. - Ci sono troppe fonti di umidità. Fare il bagno, lavare e fare asciugare il bucato, come pure cucinare, sono operazioni che producono molta umidità. Il riscaldamento a gas può aggiungere troppa umidità nell'aria per un deumidificatore. - Il filtro dell'aria è bloccato e il flusso ridotto influisce negativamente sulle prestazioni. | - Si consiglia di utilizzare un deumidificatore con capacità maggiore. - Si consiglia di utilizzare un deumidificatore con capacità maggiore. - Si consiglia di utilizzare un sistema di riscaldamento diverso dal gas. - Pulire il filtro dell'aria. |
| Il deumidificatore emette aria calda. | - L'aria secca passa da un elemento riscaldante prima di essere emessa nella stanza come parte del processo di deumidificazione. | - È normale, il deumidificatore non è un condizionatore d'aria. |
| Il deumidificatore è rumoroso. | - Il filtro dell'aria è bloccato o l'unità non è in piano. | - Pulire il filtro dell'aria o mettere il deumidificatore su una superficie piana. Il deumidificatore sarà più rumoroso su un pavimento in legno che su un tappeto. |
| La ventola continua a girare anche dopo che l'unità è stata spenta. | - La ventola raffredda l'interno. | - È normale. La ventola continua a girare per circa 2 minuti dopo che è stato premuto il tasto Power per spegnere l'unità. Togliere la presa dell'unità solo quando la ventola è ferma. |
| Spie indicazione umidità (controllo livello) (C7) | - Il filtro è ostruito. - Qualcosa ostruisce l'ingresso o l'uscita dell'aria. - L'umidità dell'aria è bassa. | - Pulire il filtro dell'ingresso dell'aria. - Rimuovere il filtro dall'ingresso e dall'uscita dell'aria. - Attendere circa 30 minuti che l'unità si raffreddi e farla ripartire quando l'umidità nella stanza è superiore al 35%. |

PRIMA DI CHIAMARE L'ASSISTENZA

Quelli che seguono non devono essere considerati come guasti.

| | |
|--|---|
| Odore proveniente dal deumidificatore quando viene usato la prima volta. | L'odore si produce perché la zeolite assorbe gli odori di sigarette, cosmetici e materiali da costruzione e li scarica quando l'essiccatore si riscalda. È normale, non dura a lungo e non si tratta di un guasto. ⇒ |
| È necessario svuotarlo spesso quando lo si usa la prima volta. | Quando la stanza diventa più secca, il deumidificatore raccoglie meno acqua. ⇒ |

7. SPECIFICHE TECNICHE

| | |
|---|----------------------------------|
| MODELLO | TD-ZB80 |
| CAPACITÀ DI DEUMIDIFICAZIONE | 8 L/D (20°C/60% RH) |
| ALIMENTAZIONE | Fase singola 220V~240V, 50 Hz |
| CONSUMO | 620 W (massimo) / 350 W (minimo) |
| CORRENTE DI FUNZIONAMENTO | 2,7 A |
| CAPACITÀ SERBATOIO DELL'ACQUA | 4,0 L |
| INTERVALLO TEMPERATURA DI FUNZIONAMENTO | 1°C ~ 40°C |
| DIMENSIONI (P x H x L) | 350 x 506 x 240 mm |
| PESO | 7,2 kg |

LIMITI DELLA GARANZIA

TOYOTOMI CO. LTD. ("TOYOTOMI") garantisce che i suoi prodotti e le parti di cui sono composti sono esenti da difetti di fabbricazione e dei materiali in condizioni di uso normale; tale garanzia vale VENTIQUEATTRO (24) MESI dalla data di consegna al cliente finale secondo i termini e condizioni seguenti.

CHE COSA È COPERTO DALLA GARANZIA:

Il prodotto e le sue parti, in caso di difetti dei materiali o di fabbricazione.

CHE COSA NON È COPERTO

La presente garanzia non copre difetti dovuti a negligenza di terzi; errori di installazione, di messa in funzionamento o di manutenzione dell'unità secondo le istruzioni (le istruzioni per il funzionamento e la manutenzione sono fornite insieme ad ogni unità); uso irresponsabile, incidenti, alterazioni, utilizzo di parti o accessori non autorizzati o non rispondenti agli standard TOYOTOMI; malfunzionamenti elettrici, come per esempio sovraccarichi di tensione, cortocircuiti, ecc; installazione non corretta; riparazioni effettuate da servizi di assistenza diversi da quelli indicati da TOYOTOMI.

CHI È COPERTO: Il cliente finale.

CHE COSA FAREMO: TOYOTOMI riparerà o sostituirà, secondo il suo giudizio, tutte le parti difettose coperte dalla presente garanzia limitata, che dovranno essere consegnate presso il rivenditore autorizzato o il distributore TOYOTOMI più vicino.

CHE COSA DEVE FARE IL CLIENTE PER AVERE DIRITTO ALLA GARANZIA: Il cliente deve restituire il prodotto o i componenti difettosi a qualsiasi rivenditore o distributore TOYOTOMI insieme alla presente GARANZIA LIMITATA. Se il servizio non è disponibile in loco, si prega di contattare l'UFFICIO CLIENTI presso:

TOYOTOMI EUROPE SALES B.V.

E-MAIL: info@toyotomi.eu

INTERNET: www.toyotomi.eu

QUANTO PRECEDE COMPRENDE TUTTI GLI OBBLIGHI E LE RESPONSABILITÀ DI TOYOTOMI RELATIVAMENTE ALLA QUALITÀ DEL PRODOTTO FORNITO. TUTTE LE ALTRE GARANZIE, ESPRESSE O IMPLICITE, COMPRESE LE GARANZIE DI COMMERCIALIZZABILITÀ O DI IDONEITÀ PER SCOPI SPECIFICI SONO ESCLUSE. TOYOTOMI NON È RESPONSABILE PER LIMITAZIONI D'USO DEL PRODOTTO, DISAGI, PERDITA O ALTRI DANNI DIRETTI, CONSEGUENTI O DERIVANTI DALL'USO O DALL'IMPOSSIBILITÀ DI USO DEL PRODOTTO, O PER DANNI RISULTANTI DA O ATTRIBUIBILI A DIFETTI DEL PRODOTTO.

Nessuno, oltre a TOYOTOMI è autorizzato ad estendere o modificare in qualunque modo i termini della presente Garanzia Limitata.

Alcuni paesi non consentono l'esclusione o la limitazione di danni accidentali o conseguenti o non permettono limitazioni alla durata della garanzia e quindi tali limitazioni o esclusioni potrebbero non essere valide. La presente Garanzia Limitata assicura al cliente specifici diritti legali, ma lo stesso può avere altri diritti che variano da stato a stato.

RESUMEN

El propósito del aparato es deshumidificar en cualquier estación, incluso en invierno. Este modelo cuenta con desecante en lugar de compresor.

Por lo tanto, esta unidad no se ve afectada por la temperatura ambiente. Además, un deshumidificador desecante no utiliza gases nocivos, por lo que se puede decir que es bueno para el medio ambiente.

Seca el aire, por lo que se está a gusto incluso cuando fuera el tiempo es húmedo o lluvioso. También sus muebles, tapicerías y ropa se mantendrán en buenas condiciones, y es fácil y rápido secar su colada. Los deshumidificadores desecantes son más silenciosos que los que llevan compresor, por lo que puede dejar la ropa secando por la noche y estará lista por la mañana. La función de apagado automático, que se puede programar a dos, cuatro u ocho horas, hace que el aparato sea más práctico, especialmente por la noche.

CARACTERÍSTICAS DE FUNCIONAMIENTO

CARACTERÍSTICAS

1. DESHUMIDIFICADOR SIN COMPRESOR

Este modelo utiliza un sistema de rotor desecante y es bueno para el medio ambiente, sin gases nocivos y con funcionamiento silencioso.

2. FUNCIONAMIENTO AUTOMÁTICO

Una vez establecida la función deseada, el sensor de humedad controla automáticamente la humedad de la habitación. Y queda memorizada mientras siga conectada al enchufe de la pared. Si hay un corte de luz, el aparato continuará funcionando con los ajustes seleccionados antes del fallo eléctrico.

3. MODO COLADA

Este modo puede secar rápidamente la ropa tendida en la habitación. Puede seleccionar el modo de colada Turbo o Saving (ahorro), en función de la cantidad de ropa.

4. DEFLECTOR AUTO-OSCILANTE

Se puede elegir entre tres inclinaciones, abierta (180°), frontal (80°) o arriba (100°). El modo de deflector auto-oscilante es útil para acelerar el secado uniforme de la colada.

5. FUNCIONAMIENTO DEL TEMPORIZADOR

La unidad se apagará pasado el periodo de tiempo establecido (2, 4 u 8 horas).

6. FILTRO ANTIBACTERIANO

Las nanopartículas de plata infiltradas en el filtro matan a las bacterias por contacto, mejorando la calidad del aire de su casa u oficina.

1. DESCRIPCIÓN

Fig. A PARTE DELANTERA

- A1 Asa de transporte
- A2 Deflector con ajuste difuso/focalizado
- A3 Rejilla de entrada de aire (prefiltro)
- A4 Entrada de aire

Fig. B PARTE TRASERA

- B1 Deflector
- B2 Salida de aire
- B3 Panel de control
- B4 Depósito de agua
- B5 Nivel de agua
- B6 Salida de desagüe continuo
- B7 Cable de red eléctrica
- B8 Clavija de enchufe

Fig. C PANEL DE CONTROL

- C1 Botón de encendido
- C2 Secado automático
- C3 Modo colada
- C4 Oscilación
- C5 Apagado automático
- C6 Indicador de lleno (La luz se enciende cuando el depósito está lleno de agua).
- C7 Indicador de revisar/baja humedad
- C8 Indicador luminoso del temporizador (2,4,8 horas)
- C9 Indicador luminoso de deflector amplio
- C10 Indicador luminoso de deflector arriba
- C11 Indicador luminoso de deflector frontal

- C12 Luz de modo colada turbo
- C13 Luz de modo colada ahorro
- C14 Luz de modo de secado con flujo de aire alto
- C15 Luz de modo de secado con flujo de aire bajo
- C16 Luz de modo de secado con flujo de aire automático

2. CONSEJOS DE SEGURIDAD

IMPORTANTE

- Lea cuidadosamente las instrucciones antes del uso.
- La unidad debe utilizarse cuando la temperatura ambiente esté entre 1 °C y 40 °C.

⚠ ADVERTENCIA

Este electrodoméstico está pensado solo para uso doméstico. Cualquier otro uso está desaconsejado por el fabricante, y puede provocar incendios, electrocuciones u otros daños a personas o propiedades. Cuando use electrodomésticos eléctricos, siempre deberá seguir unas precauciones de seguridad básicas.

- NO utilice la unidad si tiene un enchufe o cable dañado, después de haber tenido fallos de funcionamiento o sufrido caídas u otros daños. Enviela a un servicio técnico autorizado para que la examinen y reparen.
- Esta unidad deberá mantenerse siempre en posición vertical para evitar cualquier daño. Ponga la unidad en una superficie plana y estable.
- Compruebe que la tensión de la red eléctrica doméstica se corresponde con la especificada en la unidad antes de ponerla en funcionamiento.
- Asegúrese de que no estén taponadas o cubiertas las entradas y salidas de aire.
- NO ponga la unidad demasiado cerca de cortinas u otros objetos: mantenga la distancia mínima de 40 cm.
- Cuando use el modo colada para acelerar el secado de ropa mojada en la habitación, mantenga la colada a una distancia segura de la unidad para evitar que penetren en la unidad gotas de agua.
- NUNCA ponga nada encima de la unidad ni la cubra con ningún tipo de material cuando esté en funcionamiento.
- Este producto está pensado SOLO para uso doméstico y uso ligero en oficinas, no para uso comercial, industrial ni en exteriores.
- Para evitar electrocuciones, NO sumerja en agua la unidad, el enchufe ni el cable, ni los rocíe con líquidos.
- NUNCA desenchufe el cable sin haber pulsado antes el botón de encendido, ya que podría dañar la unidad.
- Desenchufe SIEMPRE la unidad cuando no se esté usando o para cambiarla de sitio. Para desconectarla de la red eléctrica, agarre el enchufe y sáquelo de la base. NUNCA tire del cable.
- Vacíe SIEMPRE el depósito de agua antes de guardar la unidad.
- El uso del deshumidificador enfrente de un radiador caliente puede hacer que no recoja nada de agua debido al calor del radiador.
- NO pase el cable por debajo de alfombras, estereras o moquetas de ningún tipo. No ponga el cable en zonas en las que alguien pueda tropezar con él.
- NUNCA utilice ni guarde la unidad bajo la luz solar directa.
- Para reparar la unidad, llévela a un técnico de mantenimiento cualificado. Las reparaciones llevadas a cabo por personal no cualificado puede dañar la unidad o producir daños a personas o propiedades y anular la garantía.
- Siempre que sea posible, evite utilizar alargadores de cable, ya que se pueden sobrecalentar y provocar riesgo de incendio. Use un alargador solo después de asegurarse de que está en perfectas condiciones.
- NO use la unidad sin el filtro de aire y asegúrese de que este está limpio para evitar fallos de funcionamiento y que se anule la garantía.
- Este electrodoméstico puede ser utilizado por niños a partir de ocho años y personas con capacidades físicas, sensoriales o mentales reducidas o falta de experiencia y conocimientos si se les supervisa o si han sido instruidos sobre el uso seguro del electrodoméstico y comprenden los peligros que conlleva.
- Los niños no deben jugar con el aparato.
- La limpieza y el mantenimiento no deben ser realizados por niños sin supervisión.

3. FUNCIONAMIENTO

PREPARACIÓN DE LA UNIDAD (FIG. F)

- Ponga la unidad en posición vertical sobre una superficie estable y plana.
- Asegúrese de que la unidad esté a una distancia segura de cualquier pared o mueble (fig. F1).
- Mantenga la ropa a una distancia segura de 40 cm de la salida de aire de la unidad para evitar que caigan gotas de agua dentro de la misma.

⚠ PRECAUCIÓN

- Mantenga el suficiente espacio libre por arriba (F2).
- NO introduzca objetos pequeños en la unidad, ya que la dañaría y sería peligroso (F3).
- NO quite el depósito de agua estando en marcha, ya que el agua puede salirse (F4).
- Asegúrese de que el depósito está bien puesto. Si el depósito está lleno o mal colocado, la luz "Full" se enciende y la máquina se para (F4).

MODO DE SECADO AUTOMÁTICO PASOS A SEGUIR:

- 1. PONGA EN "ON" EL BOTÓN DE ENCENDIDO "POWER" (C1).**
- 2. PULSE EL BOTÓN DE SECADO AUTOMÁTICO.**

Pulse el botón "Auto Dry" (secado automático) (C2) para establecer el modo que desee, "Auto", "Low" o "High".

Modo AUTO (C16)

Mantiene la habitación a un nivel de humedad relativa agradable. La unidad mantiene automáticamente la humedad relativa de la habitación al 45~50%, elevando o reduciendo automáticamente la velocidad del ventilador.

Modo LOW (bajo) (C15)

El ventilador funciona a baja velocidad.

La unidad deshumidifica automáticamente con el ventilador lento y baja calefacción.

Modo HIGH (alto) (C14)

Modo súper seco para evitar la condensación.

La unidad mantiene automáticamente la humedad relativa de la habitación al 35~40% para evitar la condensación en la habitación.

- 3. PRESIONE EL BOTÓN DE OSCILACIÓN.**

Presione el botón "Swing" (oscilación) (C4) para seleccionar el ángulo del deflector que desee (C9, C10, C11). Consulte las instrucciones detalladas más adelante.

- 4. PARAR EL APARATO**

Presione el botón de encendido "Power" (C1) y todas las luces se apagarán.

PRECAUCIÓN: Después de apagar el aparato y poner el botón de encendido en OFF, el ventilador seguirá girando durante unos dos minutos. Se trata de un proceso normal que ayuda a enfriar y proteger los componentes internos. Durante estos dos minutos, NO desenchufe el aparato de la red eléctrica: espere a que deje de girar el ventilador.

MODO DE SECADO DE COLADA PASOS A SEGUIR:

- 1. PONGA EN "ON" EL BOTÓN DE ENCENDIDO "POWER" (C1).**

- 2. PRESIONE EL BOTÓN "LAUNDRY MODE".**

Pulse el botón "Laundry Mode" (modo de colada) (C3) para establecer el modo que desee, "Saving" (ahorro) o "Turbo".

Modo SAVING (ahorro) (C13)

Adecuado para ahorrar energía cuando hay poca cantidad de ropa o en verano.

La unidad cambia automáticamente entre emitir aire caliente o aire del ventilador en función de la temperatura ambiente. Ayuda a secar la ropa gastando poca energía y a baja temperatura ambiente.

Modo TURBO (C12)

Adecuado para secar la colada de forma eficaz cuando hay mucha cantidad de ropa o en invierno.

La unidad emite automáticamente aire calefactado para secar la ropa más rápido con alta potencia.

- 3. PRESIONE EL BOTÓN DE OSCILACIÓN.**

Presione el botón "Swing" (oscilación) (C4) para seleccionar el ángulo del deflector que desee (C9, C10, C11). Consulte las instrucciones detalladas más adelante.

- 4. PARAR EL APARATO**

Presione el botón de encendido "Power" (C1) y todas las luces se apagarán.

PRECAUCIÓN: Después de apagar el aparato y poner el botón de encendido en OFF, el ventilador seguirá girando durante unos dos minutos. Se trata de un proceso normal que ayuda a enfriar y proteger los componentes internos. Durante estos dos minutos, NO desenchufe el aparato de la red eléctrica: espere a que deje de girar el ventilador.

DEFLECTOR AUTO-OSCILANTE (FIG. G)

Pulsando el botón de oscilación (C4), seleccione el ángulo del deflector que desee y se encenderá la luz indicadora de la posición del deflector.

"Front" (Frontal) → "Up" (Arriba) → "Wide" (Amplio) →

Quieto (luz apagada) → "Front" (Frontal)

FRONTAL (G1)...

El deflector automático oscila en un ángulo frontal de aprox. 80°.

ARRIBA (G2).....

El deflector automático oscila en un ángulo hacia arriba de aprox. 100°.

AMPLIO (G3).....

El deflector automático oscila en un ángulo amplio de aprox. 180°.

QUIETO

El deflector automático deja de oscilar al pulsar el botón de deflector automático (Auto) y la luz se apaga.

Los modos automáticos del deflector son útiles para secar más rápido la colada, los armarios o las paredes, porque al dirigir el flujo de aire directamente a la superficie o lo que quiera secar, el proceso de secado se acelera, ya que las moléculas de agua serán expulsadas con más rapidez.

DEFLECTOR AJUSTABLE DIFUSO/FOCALIZADO (FIG. H)

Si selecciona la oscilación del deflector "Front" (frontal) y coloca las hojas hacia afuera (H1), el flujo de aire pasará a ser focalizado.

Si selecciona la oscilación del deflector "Front" (frontal) y coloca las hojas hacia adentro (H2), el flujo de aire pasará a ser difuso.

Si selecciona la oscilación del deflector "Up" (arriba) y coloca las hojas hacia afuera (H1), el flujo de aire pasará a ser difuso.

Si selecciona la oscilación del deflector "Up" (arriba) y coloca las hojas hacia adentro (H2), el flujo de aire pasará a ser focalizado.

Si selecciona la oscilación del deflector "Wide" (amplio), la dirección del flujo de aire cambiará en función del ángulo del deflector.

FUNCIONAMIENTO DEL TEMPORIZADOR

Apagado automático:

Pulse el botón "Off Timer" (apagado automático) (C5) para seleccionar el tiempo de funcionamiento que desee (2, 4 u 8 horas) (C8).

La unidad se apagará automáticamente al finalizar el periodo de tiempo seleccionado. Según vaya pasando el tiempo, la luz (4 o 2 horas) irá indicando el tiempo que queda.

Quando no está seleccionado el temporizador (la luz está apagada), la unidad funciona de forma continua a no ser que se llene de todo el depósito del agua.

2 horas → 4 horas → 8 horas → Continuo (luz apagada) → 2 horas

MODO DE DESAGÜE CONTINUO (FIG. E)

Para desaguar continuamente, utilice una manguera con un diámetro interior de 12 mm y un diámetro exterior de 14-16 mm.

1. Saque el depósito del agua.

2. Use un destornillador para quitar la tapa del orificio que hay detrás (E1). Apriete hacia abajo y sujete el tapón (E4) con el dedo para acceder al tubo de desagüe (fig. E2). Acople la manguera al tubo de desagüe (E5) a través del orificio (fig. E3).

3. Qúitele la tapa al depósito y vuelva a ponerlo en la unidad.

Si no se vuelve a poner el depósito en la unidad, se enciende la luz de depósito lleno y el aparato no se puede poner en marcha.

4. La manguera debe ir al desagüe sin dobleces (E6, E7, E8).

NOTA:

1. El depósito de agua debe estar en la posición correcta antes de poner la manguera.

2. Quite la manguera antes de sacar el depósito de agua.

- Quite la manguera del orificio de desagüe continuo. Asegúrese de ponerle la tapa al depósito y vuelva a poner el aparato en marcha.

4. VACIAR EL DEPÓSITO DE AGUA (FIG. D)

- Cuando el depósito está lleno, se enciende la luz indicadora "Full" (C6) y la unidad se para al cabo de unos minutos.
NOTA: NO mueva la unidad ni saque el depósito de agua si la unidad sigue funcionando, porque puede haber un escape de agua, dañar la unidad y provocar una electrocución.
- Agarrando la cubeta por abajo, saque el depósito de agua (D1) y levántelo del asa con cuidado (D2).
- Primero retire la tapa del depósito (D3), después vacíe el agua (D4). Limpie el depósito y vuelva a ponerle la tapa y el depósito (D5) (D6) en su sitio.

NOTA:

- Limpie el depósito con agua limpia si es necesario. NO use disolventes, abrasivos ni agua caliente.
- No quite ni dañe el flotador que está en el depósito; si lo hace, la unidad no podrá funcionar correctamente.
- La tapa del depósito tiene que estar bien puesta.
- La luz indicadora de depósito lleno se enciende si el depósito no está bien puesto.

LIMPIEZA

LIMPIEZA DE LA REJILLA DE LA ENTRADA DE AIRE (FIG. I)

Si el filtro está lleno de suciedad, el flujo de aire y el rendimiento de la unidad se verán afectados. Se recomienda revisar y limpiar el filtro de aire cada dos semanas.

- Apague la unidad y saque el filtro (I1).
- Limpie el filtro de nanopartículas de plata con un aspirador o lávelo con agua (a menos de 40 °C) (I2). Si lo lava con agua, séquelo completamente a la sombra.
- Vuelva a poner el filtro en su sitio.

LIMPIEZA DE LA SUPERFICIE

- Apague la unidad, espere a que pare el ventilador y desenchufe la clavija de la red.
- Limpie la superficie con un paño suave y húmedo.
- Seque bien con una toalla después de limpiar.
- Para evitar daños, no lave la unidad con agua ni deje que penetren gotas de agua por la entrada o la salida de aire.

⚠ PRECAUCIÓN

- NUNCA use gasolina, disolventes, productos químicos ni abrillantadores, ya que podrían dañar la superficie.

5. ALMACENAJE PROLONGADO

Al final de cada temporada, o cuando no tenga previsto utilizar su unidad por un periodo de tiempo prolongado, se recomiendan los siguientes procedimientos.

- Apague la unidad, espere a que pare y desenchufe la clavija de la red.
- Limpie y seque el depósito de agua. Deje que la unidad desagüe durante aproximadamente un día.
- Limpie el filtro y la unidad. Cubra la unidad para que no acumule polvo. Guárdela en posición vertical en un sitio fresco y seco. NO la exponga a la acción directa de la luz solar.

⚠ PRECAUCIÓN

- Guarde la unidad SIEMPRE en posición vertical.
- NO ponga objetos pesados encima de la unidad.

6. SOLUCIÓN DE PROBLEMAS

| SÍNTOMA | CAUSA | SOLUCIÓN |
|--|--|--|
| La unidad no funciona. | - Corte de luz (apagón) - La clavija se ha desenchufado indebidamente. - El indicador de depósito lleno está encendido. El depósito está lleno. | - Espere a que vuelva la luz. - Enchúfela de nuevo. - Vacíe el depósito. |
| El aparato no deshumidifica. | - El depósito de agua está lleno. - El depósito de agua no está bien colocado. - El filtro de aire está obstruido. - La temperatura de la habitación donde está funcionando el deshumidificador es demasiado baja. - La humedad relativa del aire de la habitación donde está funcionando el deshumidificador es demasiado baja. | - Vacíe el depósito. - Ponga el depósito en la posición correcta. - Limpie el filtro de aire. - La máquina no deshumidifica por debajo de 1 °C, pero es muy improbable que a esa temperatura haya ninguna humedad que eliminar. - El deshumidificador seca hasta la humedad relativa establecida y después pasa a modo ventilador hasta que la humedad relativa vuelve a superar el punto establecido. |
| El deshumidificador funciona, pero no reduce lo bastante la humedad relativa/hay poca agua en el depósito. | - La casa es demasiado grande. - Hay demasiadas fuentes de humedad. Bañarse, hacer la colada, tender la ropa y cocinar son todas actividades que llenan de humedad el aire. La calefacción a gas puede añadir demasiada humedad al aire para un deshumidificador. - El filtro de aire está obstruido y la disminución del flujo de aire está afectando al rendimiento. | - Se recomienda usar un deshumidificador con mayor capacidad. - Se recomienda usar un deshumidificador con mayor capacidad. Plantéese usar otra fuente de calor distinta que no sea una estufa de gas. - Limpie el filtro de aire. |
| El deshumidificador está expulsando aire caliente. | - El aire secado pasa por un elemento calefactor antes de ser expulsado a la habitación como parte del proceso de deshumidificación. | - Esto es normal, un deshumidificador no es un aparato de aire acondicionado. |
| El deshumidificador hace ruido. | - El filtro de aire está obstruido o la unidad está sobre una superficie irregular. | - Limpie el filtro o ponga el deshumidificador sobre una superficie plana. Un deshumidificador también hará más ruido sobre suelos de madera que sobre moqueta. |
| El ventilador sigue girando después de apagar la unidad. | - El ventilador está enfriando el elemento calefactor interno. | - Esto es normal, y el ventilador dejará de girar al cabo de unos dos minutos después de haber pulsado el botón de encendido para apagar la unidad. Nunca desenchufe de la pared la unidad hasta que el ventilador haya dejado de girar. |
| Se enciende la luz "Check / Low humidity" (revisar/baja humedad) (C7) | - El filtro está obstruido. - Algo está tapando la entrada o la salida de aire. - Hay poca humedad en la habitación. | - Limpie el filtro de la entrada de aire. - Quítelo de la entrada y de la salida de aire. - Espere unos 30 minutos a que la unidad se enfríe y vuélvalo a poner en marcha en la habitación con una humedad de más del 35%. |

ANTES DE LLAMAR AL SERVICIO TÉCNICO

Los siguientes no son defectos:

| | |
|--|--|
| El olor que proviene del deshumificador cuando se utiliza por primera vez: | El olor se produce porque la zeolita absorbe los olores de los objetos como cigarrillos, cosméticos y materiales de construcción, y lo emite cuando el desecante se calienta. Es normal, no durará mucho y no es indicio de fallo. |
| Necesita vaciarse con frecuencia en el primer uso: | Cuanto más seca se va volviendo la habitación, menos agua recoge el deshumificador. |

7. ESPECIFICACIONES

| | |
|------------------------------------|--------------------------------|
| MODELO | TD-ZB80 |
| CAPACIDAD DE DESHUMIDIFICACIÓN | 8 l/día (20 °C/60% de humedad) |
| SUMINISTRO ELÉCTRICO | monofásico 220V~240V, 50Hz |
| CONSUMO DE ENERGÍA | 620 W (High) / 350 W (Low) |
| CORRIENTE DE TRABAJO | 2,7 A |
| CAPACIDAD DEL DEPÓSITO | 4,0 L |
| RANGO TEMP. FUNC. | 1 °C - 40 °C |
| DIMENSIONES (ANCHO X ALTO X FONDO) | 350 x 506 x 240 mm |
| PESO | 7,2 kg |

GARANTÍA LIMITADA

TOYOTOMI CO., LTD. ("TOYOTOMI") garantiza que todos los productos y sus componentes vendidos por ella están libres de defectos de materiales o fabricación bajo circunstancias de uso y mantenimiento normales durante VEINTICUATRO (24) MESES después de la fecha de entrega al comprador original en el comercio minorista, bajo los siguientes términos y condiciones:

LO QUE CUBRE: El producto o partes de él que tengan defectos de materiales o fabricación.

LO QUE NO CUBRE:

Esta garantía no se extiende para defectos debidos a negligencia de terceros; instalación, manejo o mantenimiento sin seguir las instrucciones (con cada unidad nueva se proporcionan instrucciones de manejo y mantenimiento); uso poco sensato, accidentes, alteraciones, uso de componentes y accesorios TOYOTOMI no autorizados o no estandarizados, fallo eléctrico, por ejemplo, como resultado de grandes subidas de tensión eléctrica, cortocircuito, etc.; instalación incorrecta; o reparación por parte de cualquier tercero diferente al servicio técnico especificado por TOYOTOMI.

A QUIÉN CUBRE: Al comprador original en el comercio minorista.

LO QUE HAREMOS: TOYOTOMI, siguiendo su propio criterio, reparará o sustituirá sin cargo alguno todos los componentes defectuosos cubiertos por esta garantía limitada, siempre y cuando sean transportados por usted al servicio técnico o distribuidor de TOYOTOMI más cercano.

LO QUE USTED DEBE HACER PARA RECIBIR EL SERVICIO DE GARANTÍA: Usted deberá

llevar el producto o componente defectuoso a cualquier distribuidor autorizado o distribuidor de TOYOTOMI con esta GARANTÍA LIMITADA. Si en su localidad no dispone de servicio técnico, sírvase ponerse en contacto con nuestro DEPARTAMENTO DE RELACIONES CON EL CLIENTE en:

TOYOTOMI EUROPE SALES B.V.
 CORREO ELECTRÓNICO: info@toyotomi.eu
 INTERNET: www.toyotomi.eu

LO ANTERIOR EXPRESA TODAS LAS OBLIGACIONES Y RESPONSABILIDADES DE TOYOTOMI CON RESPECTO A LA CALIDAD DEL PRODUCTO SUMINISTRADO POR ELLA. QUEDA EXCLUIDA CUALQUIER OTRA GARANTÍA, EXPRESA O IMPLÍCITA, INCLUYENDO GARANTÍAS DE COMERCIABILIDAD O ADECUACIÓN PARA UN PROPÓSITO CONCRETO. TOYOTOMI NO SERÁ RESPONSABLE DE LA PÉRDIDA DE USO DEL PRODUCTO, INADECUACIÓN, PÉRDIDA O CUALQUIER DAÑO QUE SEA CONSECUENCIA DIRECTA O INDIRECTA DEL USO O DE LA INCAPACIDAD DE USAR EL PRODUCTO, O DE DAÑOS RESULTANTES DE DEFECTOS EN EL PRODUCTO O ATRIBUIBLES A ELLOS.

Nadie más que TOYOTOMI posee la autoridad para extender o modificar los términos de esta garantía limitada de la manera que sea.

Algunos estados no permiten la exclusión o limitación de daños directos o indirectos o limitaciones de la duración de una garantía implícita, de modo que puede que estas limitaciones o exclusiones no le sean aplicables a usted. Esta garantía limitada le da derechos legales específicos, y puede que usted tenga otros derechos que pueden variar de un estado a otro.

RESUMO

A ideia subjacente à unidade é desumidificar durante todo o ano, mesmo durante o inverno. Este modelo possui um desidratante em vez de um compressor.

Por esta razão, este modelo não é afetado pela temperatura ambiente. Além disso, o desumidificador por absorção não utiliza gases nocivos, o que o torna ecológico.

Este seca o ar para que possa estar confortável mesmo quando o tempo no exterior está húmido ou chuvoso. Além disso, os seus móveis, tecidos e roupas são conservados, além de ser fácil lavar e secar a roupa rapidamente. O desumidificador por absorção é mais silencioso do que um desumidificador de compressor, pelo que consegue secar a sua roupa à noite e tê-la seca pela manhã. A função de temporizador de desativação, que pode ser definida como 2 horas, 4 horas ou 8 horas, permite-lhe utilizar a unidade de forma mais conveniente, especialmente à noite.

CARACTERÍSTICAS OPERACIONAIS

CARACTERÍSTICAS

1. DESUMIDIFICADOR SEM COMPRESSOR

Este modelo utiliza uma tecnologia de desumidificação por rotor, sendo também ecológico por não emitir gases nocivos e devido ao seu funcionamento silencioso.

2. OPERAÇÃO AUTOMÁTICA

Assim que a função desejada tiver sido definida, o sensor de humidade controla a humidade da divisão automaticamente. E a função é memorizada desde que o aparelho permaneça ligado à tomada. Em caso de corte de energia, o aparelho continua a funcionar com a definição selecionada antes do corte de energia.

3. MODO DE SECAGEM

Este modo permite-lhe secar rapidamente as roupas que tiver penduradas na divisão. Pode selecionar o modo de secagem rápida ou o modo de secagem económica, dependendo da quantidade de roupa.

4. VENEZIANA COM OSCILAÇÃO AUTOMÁTICA

Podem ser selecionados 3 ângulos: ângulo amplo (180°), ângulo dianteiro (80°) ou ângulo ascendente (100°). O modo de veneziana com oscilação automática permite-lhe acelerar a secagem da roupa de modo uniforme.

5. OPERAÇÃO DO TEMPORIZADOR

A unidade desliga-se após o período de tempo designado (2, 4, 8 horas).

6. FILTRO ANTIBACTERIANO

A nanoprata incorporada no filtro elimina bactérias pelo contacto, melhorando a qualidade do ar na sua casa ou escritório.

1. DESCRIÇÃO

Fig. A PARTE FRONTAL

- A1 Pega de transporte
- A2 Veneziana com ajuste amplo/limitado
- A3 Grelha de entrada de ar (pré-filtro)
- A4 Entrada de ar

Fig. B PARTE POSTERIOR

- B1 Veneziana
- B2 Saída de ar
- B3 Painel de operações
- B4 Depósito de água
- B5 Indicador do nível de água
- B6 Saída de drenagem de água para uma operação de drenagem contínua
- B7 Cabo de alimentação
- B8 Ficha de alimentação

Fig. C PAINEL DE OPERAÇÕES

- C1 Botão de alimentação
- C2 Botão de secagem automática
- C3 Botão do modo de secagem
- C4 Botão de oscilação
- C5 Botão do temporizador de desativação
- C6 Lâmpada de aviso (quando o depósito estiver cheio de água, a luz ilumina-se).
- C7 Lâmpada indicadora/de controlo de baixa humidade
- C8 Lâmpada indicadora do temporizador (2, 4, 8 horas)
- C9 Lâmpada indicadora da definição de veneziana com ajuste amplo
- C10 Lâmpada indicadora da definição de veneziana ascendente

- C11 Lâmpada indicadora da definição de veneziana frontal
- C12 Lâmpada do modo de secagem rápida
- C13 Lâmpada do modo de secagem económica
- C14 Lâmpada de fluxo de ar no modo de alta secagem
- C15 Lâmpada de fluxo de ar no modo de baixa secagem
- C16 Lâmpada de fluxo de ar no modo de secagem automática

2. DICAS DE SEGURANÇA

IMPORTANTE

- Leia as instruções atentamente antes da operação.
- A unidade deve ser operada quando a temperatura ambiente está entre 1 °C e 40 °C.

⚠ AVISO

Este aparelho apenas se destina a ser utilizado em ambiente doméstico. Outras utilizações não são recomendadas pelo fabricante e podem provocar incêndios, choques elétricos ou outras lesões a pessoas ou à propriedade. Ao utilizar aparelhos elétricos, devem ser sempre seguidas precauções de segurança básicas:

- NÃO opere a unidade com fichas ou cabos danificados ou após a unidade apresentar uma avaria ou ter sido danificada de qualquer forma. Devolva a unidade a um centro de assistência autorizado para exame e reparação.
- Esta unidade deve ser sempre mantida na vertical para evitar a ocorrência de danos. Coloque a unidade numa superfície plana e estável.
- Verifique qual é a tensão da residência para garantir que corresponde à especificação de tensão nominal da unidade antes de a colocar em funcionamento.
- Certifique-se de que as entradas e saídas de ar não estão cobertas ou obstruídas.
- NÃO coloque a unidade demasiado perto de cortinas ou outros objetos - a distância mínima é de 40 cm.
- Ao utilizar o "modo de secagem" para acelerar a secagem de roupa molhada numa divisão, mantenha a roupa a uma distância segura da unidade para evitar que caia água para dentro da unidade.
- NUNCA coloque objetos em cima da unidade nem a cubra com qualquer tipo de material enquanto esta estiver a ser utilizada.
- Este produto destina-se APENAS a utilização doméstica ou utilização ligeira em escritórios e não a aplicações comerciais, industriais ou exteriores.
- Para se proteger contra choques elétricos, NÃO mergulhe a unidade, a ficha ou o cabo na água nem os borrife com qualquer líquido.
- NUNCA retire o cabo de alimentação da tomada sem premir o botão de alimentação primeiro, pois isso poderá danificar a unidade.
- Desligue SEMPRE a unidade quando não estiver em utilização ou se pretender mudá-la de sítio. Para desligar a unidade da fonte de alimentação, segure a ficha e retire-a da tomada. NUNCA puxe o cabo.
- Esvazie SEMPRE o depósito de água antes de guardar a unidade.
- A utilização do desumidificador em frente a um radiador quente pode fazer com que o desumidificador não recolha água devido ao calor do radiador.
- NÃO passe cabos de alimentação por baixo de alcatifas, carpetes ou tapetes. Coloque o cabo longe de áreas onde alguém possa tropeçar nele.
- NUNCA opere nem armazene a unidade sob luz solar direta.
- Para reparar a unidade, leve-a a um engenheiro de reparação qualificado. Reparações realizadas por pessoas não qualificadas podem causar danos à unidade ou lesões às pessoas ou à propriedade e podem anular a garantia.
- Sempre que possível, evite utilizar um cabo de extensão, pois este pode sobreaquecer e originar um risco de incêndio. Apenas utilize um cabo de extensão após garantir que este está em bom estado.
- NÃO utilize a unidade sem o filtro de ar e certifique-se de que o filtro está limpo para evitar avarias e a invalidação da garantia.
- Este aparelho pode ser utilizado por crianças com mais de 8 anos de idade e pessoas com capacidades físicas, sensoriais e mentais reduzidas ou com falta de experiência e conhecimento se forem supervisionadas ou receberem instruções so-

bre a utilização do mesmo de modo seguro e compreenderem os perigos envolvidos.

- As crianças não devem brincar com o aparelho.
- A limpeza e a manutenção do utilizador não devem ser efetuadas por crianças sem supervisão.

3. OPERAÇÃO

CONFIGURAÇÃO DA UNIDADE (Fig. F)

- Coloque a unidade na vertical numa superfície plana e estável.
- Certifique-se de que a unidade está a uma distância segura de uma parede ou de móveis (Fig. F1).
- Mantenha a roupa a uma distância segura de 40 cm da saída de ar da unidade para evitar que caia água para dentro da unidade.

⚠ ATENÇÃO

- Mantenha um espaço adequado conforme indicado acima. (F2)
- NÃO insira pequenos objetos na unidade, pois isso irá danificá-la e originar perigos. (F3)
- NÃO remova o depósito de água durante o funcionamento, pois isso poderá provocar uma fuga de água. (F4)
- Certifique-se de que o depósito de água está instalado corretamente; se o depósito estiver cheio ou não estiver instalado, a luz "Cheio" ilumina-se e a máquina para. (F4)

PASSOS OPERACIONAIS DO MODO DE SECAGEM AUTOMÁTICA:

1. COLOCAR O BOTÃO DE ALIMENTAÇÃO (C1) NA POSIÇÃO "ON".

2. PREMIR O BOTÃO DE SECAGEM AUTOMÁTICA.

Prima o botão de secagem automática (C2) para definir o modo "Auto" (Automático), "Low" (Baixo) ou "High" (Alto).

Modo AUTOMÁTICO (C16)

Mantém a divisão a um nível de humidade relativa (hr) confortável. A unidade mantém a humidade da divisão a 45~50% hr automaticamente com uma velocidade da ventoinha alta ou baixa automática.

Modo BAIXO (C15)

Funcionamento com baixa velocidade da ventoinha.

A unidade desumidifica automaticamente com uma baixa velocidade da ventoinha e um baixo nível de aquecimento.

Modo ALTO (C14)

Modo de secagem extrema para evitar condensação.

A unidade mantém a humidade da divisão a 35~40% hr automaticamente para evitar a formação de condensação na divisão.

3. PREMIR O BOTÃO DE OSCILAÇÃO

Prima o botão de oscilação (C4) para selecionar o seu ângulo da grelha de ar pretendido (C9, C10, C11). Consulte as instruções detalhadas abaixo.

4. OPERAÇÃO DE PARAGEM

Prima o botão de alimentação (C1) e as luzes apagam.

ATENÇÃO: Após desligar o aparelho utilizando o botão de alimentação, a ventoinha irá continuar a funcionar durante dois minutos. Isto é um procedimento normal e ajuda a arrefecer e a proteger os componentes internos. Durante estes dois minutos, NÃO retire a ficha de alimentação da tomada elétrica; espere até que a ventoinha pare de funcionar.

MODO DE SECAGEM PASSOS OPERACIONAIS:

1. COLOCAR O BOTÃO DE ALIMENTAÇÃO (C1) NA POSIÇÃO "ON".

2. PRIMA O BOTÃO DO MODO DE SECAGEM.

Coloque o botão do modo de secagem (C3) para definir o modo "Saving" (Económico) ou "Turbo".

Modo Económico (C13)

Adequado para quando a quantidade de roupa é pequena ou no verão para poupar energia.

A unidade alterna automaticamente para fornecer ar quente ou ar da ventoinha, dependendo da temperatura ambiente. Ajuda a secar a roupa com baixa energia e baixa temperatura ambiente.

Modo TURBO (C12)

Adequado para quando a quantidade de roupa é grande ou no inverno para secar totalmente a roupa.

A unidade gera automaticamente ar aquecido para secar a roupa com mais rapidez e energia superior.

3. PREMIR O BOTÃO DE OSCILAÇÃO

Prima o botão de oscilação (C4) para selecionar o seu ângulo da grelha de ar pretendido (C9, C10, C11). Consulte as instruções detalhadas abaixo.

4. OPERAÇÃO DE PARAGEM

Prima o botão de alimentação (C1) e as luzes apagam.

ATENÇÃO: Após desligar o aparelho utilizando o botão de alimentação, a ventoinha irá continuar a funcionar durante dois minutos. Isto é um procedimento normal e ajuda a arrefecer e a proteger os componentes internos. Durante estes dois minutos, NÃO retire a ficha de alimentação da tomada elétrica; espere até que a ventoinha pare de funcionar.

GRELHA COM OSCILAÇÃO AUTOMÁTICA (Fig. G)

Ao premir o botão de oscilação (C4), o ângulo da grelha e o indicador de definição da grelha.

"Front" (Frente) → "Up" (Cima) → "Wide" (Largo) →

Espera (Lâmpada desligada) → "Front" (Frente)

FRENTE (G1)...

A grelha automática oscila numa direção dianteira de aproximadamente 80°

CIMA (G2).....

A grelha automática oscila numa direção ascendente de aproximadamente 100°

LARGO (G3).....

A grelha automática oscila numa direção ampla de aproximadamente 180°

ESPERA

A grelha automática interrompe a oscilação quando prime o botão de oscilação automática e a lâmpada apaga.

Os modos de oscilação automática são úteis para acelerar a secagem de lavagens, roupas e paredes devido ao facto do fluxo de ar bater na superfície do que quer que pretenda secar, acelerando o processo de secagem uma vez que as moléculas da água serão forçadas a sair mais cedo.

GRELHA AJUSTÁVEL AMPLA/LOCAL (Fig. H)

Se selecionar "Front" na grelha com oscilação e ajustar as lâminas para fora (H1), o fluxo de ar mudará para ventilação local.

Se selecionar "Front" na grelha com oscilação e ajustar as lâminas para dentro (H1), o fluxo de ar mudará para ventilação ampla.

Se selecionar "Up" na grelha com oscilação e ajustar as lâminas para fora (H1), o fluxo de ar mudará para ventilação ampla.

Se selecionar "Up" na grelha com oscilação e ajustar as lâminas para dentro (H1), o fluxo de ar mudará para ventilação local.

Se selecionar "Wide" na grelha com oscilação, a direção do fluxo de ar mudará dependendo do ângulo da grelha.

OPERAÇÃO DO TEMPORIZADOR

Desligamento automático:

Prima o botão de desligamento do temporizador (C5) para selecionar o seu tempo de funcionamento desejado (2, 4 ou 8 horas) (C8). A unidade irá desligar-se automaticamente no final do período de tempo selecionado. Ao longo da contagem decrescente, a lâmpada (4 ou 2 horas) irá indicar o tempo restante.

Quando não estiver nenhum temporizado definido (a lâmpada está desligada), a unidade irá funcionar continuamente a menos que o depósito de água esteja já cheio.

2 horas → 4 horas → 8 horas → Contínuo (lâmpada apagada) → 2 horas

MODO DE DRENAGEM CONTÍNUA (Fig. E)

Para uma drenagem contínua, utilize uma mangueira com um diâmetro interno de 12 mm e um diâmetro externo de 14 mm~16 mm.

1. Retire o depósito de água.

2. Utilize uma chave de fendas para retirar o separador de água na traseira. (E1) Pressione e mantenha com o dedo no batente (E4) para o tubo de drenagem (Fig. E2). Fixe a mangueira no tubo de drenagem (E5) através do orifício (Fig. E3).

3. Retire a tampa do depósito e volte a colocar o depósito de água na unidade.

Se o depósito não voltar a ser colocado na unidade, a lâmpada de depósito cheio irá acender e não será possível iniciar o funcionamento.

4. A tubagem deve levar à drenagem sem dobras. (E6, E7, E8)

NOTA:

1. O depósito de água deve estar na posição correta antes de colocar a tubagem.
2. Retire a tubagem antes de puxar o depósito de água.
3. Retire a mangueira do orifício de drenagem contínua. Certifique-se de que coloca a tampa no depósito de água e reinicia o funcionamento.

4. Esvaziar o depósito de água (Fig. D)

1. Quando o depósito de água estiver cheio, a lâmpada indicadora de água cheia (C6) irá acender e a unidade desliga durante alguns minutos.

NOTA: NÃO mova a unidade ou retire o depósito de água, se a unidade ainda estiver em funcionamento, dado que poderá causar fugas de água, danos na unidade ou provocar um choque elétrico.

2. Ao agarrar na parte inferior do balde, retire o depósito de água (D1) e eleve cuidadosamente com a pega (D2).
3. Em primeiro lugar, retire a tampa do depósito de água (D3) e, em seguida, deite a água fora (D4). Limpe o depósito de água e volte a colocar a respetiva tampa (D5) (D6) na posição correta.

NOTA:

- Limpe o depósito de água com água limpa, caso seja necessário.
- NÃO utilize solventes, produtos abrasivos.
- NÃO retire ou danifique o flutuador no depósito ou a unidade não funcionará corretamente.
- A tampa do depósito de água deve estar bem colocada na posição ou água quente.
- A lâmpada indicadora de água cheia acende se o depósito de água não estiver bem posicionado.

LIMPEZA

LIMPEZA DA GRELHA DE ENTRADA DE AR (Fig. I)

Se o filtro estiver coberto com pó, o fluxo de ar e o desempenho da unidade serão afetados. É recomendado verificar e limpar o filtro de ar a cada 2 semanas.

1. Desligue a unidade e retire o filtro da unidade. (I1)
2. Limpe o filtro de nanoprata com um aspirador e lave-o com água (menos de 40 °C). (I2) Se lavar com água, seque-o completamente numa área à sombra.
3. Substitua o filtro.

LIMPEZA DA SUPERFÍCIE

1. Desligue a unidade, aguarde pelo desligamento da ventoinha e desligue-a da tomada.
2. Limpe a superfície com um pano húmido e macio.
3. Seque totalmente com uma toalha após limpar.
4. Para evitar danos, não lave a unidade com água ou deixe cair água na entrada ou na saída de ar.

⚠ ATENÇÃO

- NUNCA utilize gasolina, solventes, químicos, produtos ou massa de polir pois podem danificar a superfície.

5. ARMAZENAMENTO A LONGO PRAZO

No final de cada estação, ou quando não pretender utilizar a unidade por um período de tempo prolongado, são recomendados os seguintes procedimentos.

1. Desligue a unidade, aguarde e desligue-a da tomada.
2. Limpe e seque o depósito de água. Deixe a unidade a drenar durante, aproximadamente, um dia.
3. Limpe o filtro e a unidade. Cubra a unidade para impedir de ganhar pó. Guarde na vertical num local seco e fresco. NÃO exponha à luz direta solar.

⚠ ATENÇÃO

- Armazene SEMPRE a unidade na vertical.
- NÃO coloque objetos pesados na parte superior da unidade.

6. RESOLUÇÃO DE PROB

| SINTOMA | CAUSA | SOLUÇÃO |
|--|--|---|
| A unidade não trabalha. | - Corte de energia. - A ficha não foi bem ligada. - O indicador de depósito cheio está aceso. O depósito está cheio. | - Aguarde pelo restabelecimento da energia. - Volte a ligar. - Retire a água de drenagem do depósito de água. |
| O dispositivo não desumidifica. | - O depósito de água está cheio. - O depósito de água não foi substituído corretamente - O filtro de ar está entupido. - A temperatura na divisão onde o desumidificador está a funcionar é demasiado baixa. - A humidade relativa na divisão onde o desumidificador está a funcionar é demasiado baixa. | - Retire a água do depósito de água. - Coloque o depósito de água na posição correta. - Limpe o filtro de ar. - A máquina não desumidifica abaixo de 1 °C, é pouco provável que a essa temperatura exista humidade para remover. - O desumidificador seca até ao nível de humidade relativa alvo definida e, em seguida, aciona o modo de ventoinha apenas até a humidade relativa subir novamente acima do ponto definido. |
| O desumidificador funciona, mas não reduz suficientemente a humidade relativa/existe pouca água no depósito de água. | - A casa é demasiado grande. - Existe demasiadas fontes de humidades. Tomar banho, lavar, cozinhar e secar roupa coloca humidade no ar. O aquecimento a gás pode adicionar demasiada humidade no ar para o desumidificador. - O filtro de ar está bloqueado e o fluxo de ar reduzido está a afetar o desempenho. | - Recomendar a utilização de um desumidificador com maior capacidade. - Recomendar a utilização de um desumidificador com maior capacidade. Considere utilizar uma fonte de calor diferente de um aquecedor a gás. - Limpe o filtro de ar. |
| O desumidificador está a ventilar ar quente. | - O ar seco está acima do elemento de aquecimento antes de ser ventilado para a divisão como parte do processo de desumidificação. | - Isto é normal, um desumidificador não é um sistema de refrigeração de ar. |
| O desumidificador está ruidoso. | - O filtro de ar está bloqueado ou a unidade está numa superfície irregular. | - Limpe o filtro e/ou coloque o desumidificador numa superfície plana. Um desumidificador será mais ruidoso num chão de madeira do que numa carpete. |
| A ventoinha continua a funcionar após desligar a unidade. | - A ventoinha está a arrefecer o aquecedor interno. | - Isto é normal e a ventoinha irá funcionar durante cerca de 2 minutos após premir o botão de alimentação para desligar a unidade. Nunca desligue a unidade da tomada até a ventoinha parar de funcionar. |
| A lâmpada indicadora/d e controlo de baixa humidade (C7) acende. | - O filtro está entupido. - Algo está presente na entrada ou na saída de ar. - A humidade da divisão é baixa | - Limpe o filtro da entrada de ar - Retire da entrada ou saída de ar. - Aguarde cerca de 30 minutos para arrefecer a unidade e coloque novamente em funcionamento numa divisão com a humidade acima de 35%. |

ANTES DE PEDIR ASSISTÊNCIA

Os aspetos seguintes não são defeitos.

| | |
|---|---|
| Cheiro proveniente do desumificador na primeira utilização: | O cheiro ocorre porque o Zeolite absorve odores de itens como cigarros, cosméticos e materiais de construção, descarregado quando o desidratante é aquecido. É normal, não durará muito tempo e não é sinal de falha. |
| Necessidade de esvaziar a água frequentemente na primeira utilização: | À medida que a divisão fica mais seca, o desumidificador recolhe menos água. |

7. ESPECIFICAÇÕES

| | |
|--------------------------------|-------------------------------|
| MODELO | TD-ZB80 |
| CAPACIDADE DE DESUMIDIFICAÇÃO | 8 L/D (20 °C/60% hr) |
| FONTE DE ALIMENTAÇÃO | Monofásica 220 V~240 V, 50 Hz |
| CONSUMO ENERGÉTICO | 620 W (alto)/350 W (baixo) |
| CORRENTE DE FUNCIONAMENTO | 2,7 A |
| CAPACIDADE DO DEPÓSITO DE ÁGUA | 4,0 L |
| INTERVALO DE TEMP. OPERACIONAL | 1 °C ~ 40 °C |
| DIMENSÕES (LxAxP) | 350 x 506 x 240 mm |
| PESO | 7,2 kg |

GARANTIA LIMITADA

TOYOTOMI CO., LTD. ("TOYOTOMI") garante que cada produto e respetivas peças do mesmo são vendidos sem defeitos de material ou mão-de-obra quando utilizados e mantidos em condições normais por um período de VINTE E QUATRO (24) MESES após a data de entrega ao comprador retalhista original sujeito aos seguintes termos e condições:

O QUE É ABRANGIDO: produto ou quaisquer peças do mesmo com defeito de material ou mão-de-obra.

O QUE NÃO É ABRANGIDO:

Esta garantia não abrange qualquer defeito devido a negligência de terceiros, falha de instalação, operação ou manutenção da unidade de acordo com as instruções (as instruções de funcionamento e manutenção são fornecidas com cada nova unidade), utilização despropositada, acidentes, alteração, utilização de peças e acessórios TOYOTOMI não autorizados ou não padronizados, avaria elétrica, isto é, resultante de grandes picos de corrente, curto-circuito, etc., instalação incorreta ou reparação por qualquer pessoa que não um centro de assistência especificado pela TOYOTOMI.

QUEM É ABRANGIDO: o comprador retalhista original.

O QUE FAREMOS: A TOYOTOMI repara ou substitui gratuitamente, a seu critério, todas as peças defeituosas abrangidas por esta garantia limitada numa base de transporte, até ao revendedor ou distribuidor autorizado da TOYOTOMI.

O QUE DEVE FAZER PARA OBTER A ASSISTÊNCIA DA GRATUITA: deve devolver o produto ou peça com defeito a qualquer revendedor ou distribuidor autorizado da TOYOTOMI com esta GARANTIA LIMITADA. Se a assistência não estiver disponível localmente, contacte o nosso DEPARTAMENTO DE RELAÇÕES COM CLIENTES através de:

TOYOTOMI EUROPE SALES B.V.

E-MAIL: info@toyotomi.eu

INTERNET: www.toyotomi.eu

O MENCIONADO ACIMA EXPRESSA TODAS AS OBRIGAÇÕES E RESPONSABILIDADES DA TOYOTOMI RELATIVAMENTE À QUALIDADE DO PRODUTO FORNECIDO PELA MESMA. TODAS AS OUTRAS GARANTIAS, EXPRESSAS OU IMPLÍCITAS, INCLUINDO AS GARANTIAS DE COMERCIALIZAÇÃO OU ADEQUAÇÃO A UM FIM PARTICULAR SÃO RENUNCIADAS. A TOYOTOMI NÃO SERÁ RESPONSÁVEL PELA PERDA DE UTILIZAÇÃO DO PRODUTO, INCONVENIÊNCIA, PERDA OU QUAISQUER OUTROS DANOS, DIRETOS OU CONSEQUENTES, RESULTANTES DA UTILIZAÇÃO OU INCAPACIDADE DE UTILIZAÇÃO DO PRODUTO OU DANOS RESULTANTES DE DEFEITOS NO PRODUTO OU ATRIBUÍVEIS AOS MESMOS.

Ninguém que não a TOYOTOMI tem autoridade de alargar ou modificar os termos desta Garantia Limitada de qualquer modo.

Alguns estados não permitem a exclusão ou limitação de danos incidentais ou consequentes ou limitações sobre a duração de uma garantia implícita, pelo que estas limitações ou exclusões podem não ser aplicáveis a si. Esta Garantia Limitada concede direitos legais específicos e também pode ter outros direitos que variam consoante estado.

OVERSIGT

Ideen bag enheden er at affugte hele året, også om vinteren. Denne model bruger tørremiddel i stedet for kompressor.

Denne model er derfor ikke påvirket af stuetemperaturen. Affugteren af tørremiddeltypen anvender heller ikke skadelige gasser, så den er betegnet som miljøvenlig.

Den tørrer luften, så du har det behageligt, selvom det er fugtigt og regner udenfor. Også dine møbler, tekstiler og tøj holdes i god stand, og dit vasketøj kan tørres nemt og hurtigt.

Tørremiddeltypen er mere støjsvag end kompressortypen, så du kan tørre vasketøjet om natten, så er det tørt næste morgen. Med timerfunktionen, der kan indstilles til 2 timer, 4 timer eller 8 timer, kan du bruge enheden mere bekvemmeligt om natten.

DRIFTSEGENSKABER

EGENSKABER

1. KOMPRESSORLØS AFFUGTER

Denne model bruger tørremiddelrotorteknologi, er miljøvenlig uden skadelige gasser og er støjsvag.

2. AUTOMATISK DRIFT

Når den ønskede funktion er indstillet, regulerer fugtighedssensoren automatisk fugtigheden i rummet. Og den vil være lagret, så længe enheden er tilsluttet stikkontakten. I tilfælde af strømafbrydelse vil apparatet fortsætte arbejdet ved den indstilling, der var valgt inden strømafbrydelsen.

3. VASKETØJSTILSTAND

Denne tilstand kan hurtigt tørre det ophængte vasketøj i rummet. Du kan vælge Turbo-vasketøjstilstand eller Økonomi-tørretilstand afhængigt af mængden af vasketøj.

4. AUTOMATISK SVINGLAMEL

Der kan vælges mellem 3-vejsvinkel, bred vinkel (180°), frontvinkel (80°) eller opadgående vinkel (100°). Den automatiske svinglametilstand er nyttig til at fremskynde tørring af vasketøj.

5. TIMERFUNKTION

Enheden vil slukke efter det angivne tidsrum (2, 4, 8 timer).

6. ANTIBAKTERIELT FILTER

Nanosølvet i filteret dræber bakterier ved kontakt, hvilket forbedrer luftkvaliteten i dit hjem eller kontor.

1. BESKRIVELSE

Fig. A FRONT

| | |
|----|-------------------------------|
| A1 | Bærehåndtag |
| A2 | Bred/punktvis justerbar lamel |
| A3 | Luftindtagsgitter (forfilter) |
| A4 | Luftindtag |

Fig. B BAGEST

| | |
|----|---|
| B1 | Lamel |
| B2 | Luftudløb |
| B3 | Betjeningspanel |
| B4 | Vandtank |
| B5 | Vandmåler |
| B6 | Vandudledningskanal for kontinuerlig udledningsfunktion |
| B7 | Strømledning |
| B8 | Strømskik |

Fig. C BETJENINGSPANEL

| | |
|-----|--|
| C1 | Strømknap |
| C2 | Knap til automatisk tørretilstand |
| C3 | Knap til vasketøjstilstand |
| C4 | Knap til automatisk svingning |
| C5 | Timerknap |
| C6 | Fuld-lampe (Når tanken er fyldt op med vand, vil lampen lyse). |
| C7 | Indikatorlampe for kontrol/lav fugtighed |
| C8 | Indikatorlampe for timer (2, 4, 8 timer) |
| C9 | Indikatorlampe for bred lamelindstilling |
| C10 | Indikatorlampe for OP-lamelindstilling |
| C11 | Indikatorlampe for forreste lamelindstilling |

| | |
|-----|--|
| C12 | Lampe for Turbo-vasketøjstilstand |
| C13 | Lampe for Økonomi-vasketøjstilstand |
| C14 | Lampe for tørretilstand med høj luftstrøm |
| C15 | Lampe for tørretilstand med lav luftstrøm |
| C16 | Lampe for tørretilstand med automatisk luftstrøm |

2. SIKKERHEDSTIPS

VIGTIGT

- Læs anvisningen nøje igennem inden drift.
- Enheden må kun anvendes, når rumtemperaturen er mellem 1°C og 40°C.

⚠ ADVARSEL

Dette apparat er kun beregnet til brug i boligmiljøer.

Al anden anvendelse frarådes af fabrikanten og kan medføre brand, elektrisk stød eller anden personskade eller materiel skade.

Ved brug af elektriske apparater skal de grundlæggende sikkerhedsforanstaltninger altid følges:

- Anvend IKKE enheden med en beskadiget ledning eller stik, ved fejlfunktion eller efter den har været tabt eller beskadiget på nogen måde.

Returner den til en autoriseret servicefacilitet for eftersyn og reparation.

- Denne enhed bør altid holdes i oprejst stilling for at undgå skader. Anbring enheden på et fladt og stabilt underlag.
- Kontroller netspændingen for at sikre, at den stemmer overens med enhedens nominelle specifikation, inden den tages i brug.
- Sørg for at luftindtagene og -udløbene ikke er tilstoppede eller tildækkede.
- Anbring IKKE enheden for tæt på gardiner eller andre genstande - min. afstand er 40 cm.
- Ved brug af "VASKETØJSTILSTAND" til at fremskynde tørring af vådt tøj i rummet, skal tøjet holdes i en sikker afstand til enheden for at undgå, at der drypper vand ned på enheden.
- Anbring ALDRIG noget oven på enheden og tildæk den ikke med nogen form for materiale, mens den er i brug.
- Dette produkt er KUN beregnet til brug i hjemmet eller mindre kontorer, og ikke til kommerciel, industriel eller udendørs brug.
- For at beskytte mod elektrisk stød, må enhed, stik eller ledning IKKE nedsænkes i vand eller tilsprøjtes med væsker.
- Frakobl ALDRIG strømledningen uden først at trykke på strømknapen, da dette kan beskadige enheden.
- Frakobl ALTID enheden, når den ikke er i brug eller flyttes til et andet sted.
For at frakoble strømforsyningen, tag fat i stikket og træk det ud af stikkontakten. Træk ALDRIG i ledningen.
- Tøm ALTID vandtanken, inden enheden opmagasineres.
- Brug af affugteren foran en varm radiator kan medføre, at affugteren ikke opsamler vand pga. varmen fra radiatoren.
- Før IKKE strømledningen under tæpper, løse tæpper eller måtter. Før ledningen væk fra områder, hvor man risikerer at falde over den
- Enheden må ikke opstilles eller opmagasineres i direkte sollys.
- Enheden må kun repareres af en kvalificeret serviceingeniør. Reparationer, der er udført af ikke-kvalifi-

cerede personer, kan medføre skade på enheden eller person- eller ejendomsskader og ugyldiggøre garantien.

- Undgå hvor muligt at bruge en forlængerledning, da den kan overophede og medføre brandfare. Brug kun en forlængerledning, hvis du er helt sikker på, at den er i perfekt stand.
- Anvend IKKE enheden uden luftfilter, og sørg for at filteret holdes rent for at undgå fejlfunktion og ugyldiggørelse af garantien.
- Dette apparat kan bruges af børn over 8 år og personer med nedsat fysiske, sansemæssige eller mentale evner eller manglende erfaring og kendskab, hvis det sker under opsyn eller ved korrekt vejledning i at bruge apparatet på sikker vis og med forståelse for de involverede risici.
- Børn må ikke lege med apparatet.
- Rengøring og brugervedligeholdelse må ikke udføres af børn uden opsyn.

3. DRIFT

OPSÆTNING AF ENHED (Fig. F)

- Anbring enheden i oprejst position på et stabilt og fladt underlag.
- Sørg for at enheden er i sikker afstand til væg og møbler (Fig. F1).
- Hold tøj i sikker afstand på 40 cm fra enhedens luftudløb for at forhindre vand i at dryppe ned i enheden.

⚠ FORSIGTIG

- Hold passende afstand som nævnt herover. (F2)
- Før IKKE små genstande ind i enheden, da det vil beskadige den og udgøre en fare. (F3)
- Fjern ikke vandtanken under drift, da vandet ellers vil lække ud. (F4)
- Sørg for at vandtanken er isat korrekt. Hvis tanken er fuld eller ikke isat, vil "Full" (Fuld)-lampen lyse og maskinen stoppe. (F4)

AUTOMATISK TØRRETILSTAND

DRIFTSTRIN:

1. TRYK KNAPPEN "POWER" (C1) TIL "ON".

2. TRYK PÅ KNAPPEN TIL AUTOMATISK TØRRETILSTAND.

Tryk på knappen for tilstanden "Auto Dry" (C2) for at indstille den ønskede tilstand, "Auto", "Low" eller "High" (AUTO, LAV eller HØJ).

AUTO-tilstand (C16)

Sørger for et behageligt relativt fugtighedsniveau (rh) i rummet. Enheden vil automatisk holde rumfugtigheden ved 35~40 %rh med automatisk høj eller lav blæserhastighed.

LAV-tilstand (C15)

Kør ved lav blæserhastighed.

Enheden affugter automatisk ved lav blæserhastighed og lav varme.

HØJ-tilstand (C14)

Super-tørretilstand for at forhindre kondens.

Enheden vil automatisk holde rumfugtigheden ved 35~40 %rh for at forhindre kondens i rummet.

3. TRYK PÅ KNAPPEN FOR AUTOMATISK LAMEL

Tryk på knappen "Swing" (C4) for at vælge den ønskede luftlamelvinkel (C9, C10, C11). Der henvises til den detaljerede anvisning herunder.

4. STOP DRIFT

Tryk på knappen "Power" (C1) og alle lamper vil slukke.

FORSIGTIG: Når apparatet slukkes med strømknappen, vil blæseren fortsætte med at køre i to minutter.

Dette er normalt og hjælper med at køle og beskytte de indvendige komponenter. I løbet af disse to minutter, må strømskiftet IKKE tages ud af stikkontakten. Vent derimod til blæseren holder op med at køre.

TØRRETILSTAND TIL VASKETØJ

DRIFTSTRIN:

1. TRYK KNAPPEN "POWER" (C1) TIL "ON".

2. TRYK PÅ KNAPPEN FOR TØRRETILSTAND TIL VASKETØJ.

Tryk på knappen for tilstanden "Laundry Mode" (C3) for at indstille den ønskede tilstand, "Saving" eller "Turbo".

ØKONOMI-tilstand (C13)

Egnet til små mængder vasketøj eller om sommeren for at spare strøm.

Enheden skifter automatisk for at levere varm luft eller blæserluft, afhængigt af rumtemperaturen.

Hjælper med at tørre tøj ved lav effekt og lavere rumtemperatur.

TURBO-tilstand (C12)

Egnet til store mængder vasketøj eller om vinteren for effektiv tørring af tøj.

Enheden leverer automatisk varm luft for at tørre tøjet hurtigere ved højere effekt.

3. TRYK PÅ KNAPPEN FOR AUTOMATISK LAMEL

Tryk på knappen "Swing" (C4) for at vælge den ønskede luftlamelvinkel. (C9, C10, C11) Der henvises til den detaljerede anvisning herunder.

4. STOP DRIFT

Tryk på knappen "Power" (C1) og alle lamper vil slukke.

FORSIGTIG: Når apparatet slukkes med strømknappen, vil blæseren fortsætte med at køre i to minutter.

Dette er normalt og hjælper med at køle og beskytte de indvendige komponenter. I løbet af disse to minutter, må strømskiftet IKKE tages ud af stikkontakten. Vent derimod til blæseren holder op med at køre.

AUTOMATISK SVINGLAMEL (Fig. G)

Tryk på knappen "Swing" (C4) for at vælge den ønskede luftlamelvinkel, hvorefter indikatorlampen for lamelindstilling vil lyse.

"Front" → "Up" (Op) → "Wide" (Bred) → Hold (lampe slukket) → "Front"

FRONT (G1) . . . Den automatiske lamel svinger i et frontområde på ca.80°.

OP (G2) Den automatiske lamel svinger opad i et område på ca.100°.

BRED (G3) . . . Den automatiske lamel svinger i et bredt område på ca.180°.

HOLD Den automatiske lamel stopper med at svinge, når du trykker på knappen Automatisk lamel, og lampen slukker.

De automatiske lameltilstande er nyttige til at fremskynde tørring af vasketøj, garderobeskabe og vægge, da luftstrømmen rammer den ønskede overflade, hvilket fremskynder tørreprocessen, da vandmolekylerne presses hurtigere ud.

BRED/PUNKTVIS JUSTERBAR LAMEL (Fig. H)

Hvis du vælger "Front" swing luftspjæld, og justerer lamellerne udad (H1), så vil luftstrømmen ændres til spot blæser (spot blowing).

Hvis du vælger "Front" swing luftspjæld, og justerer lamellerne indad (H2), så vil luftstrømmen ændres til bred blæser (wide blowing).

Hvis du vælger "Up" swing luftspjæld, og justerer lamellerne udad (H1), så vil luftstrømmen ændres til bred blæser (wide blowing).

Hvis du vælger "Up" swing luftspjæld, og justerer lamellerne indad (H2), så vil luftstrømmen ændres til spot blæser (spot blowing).

Hvis du vælger "Wide" swing luftspjæld, så vil luftstrømmens retning ændres afhængigt af vinklen på lamellerne i luftspjældet.

TIMERFUNKTION

Automatisk slukning:

Tryk på knappen "Off Timer" (C5) for at vælge den ønskede køretid (2, 4 eller 8 timer) (C8). Enheden vil automatisk slukke efter det valgte tidsrum. Mens timeren tæller ned, vil lampen (4 eller 2 timer) angive den resterende tid.

Hvis ingen timer er indstillet (lampen er slukket), vil enheden køre kontinuerligt, medmindre vandtanken allerede er fuld.

2 timer → 4 timer → 8 timer → Kontinuerlig (lampe slukket) → 2 timer

KONTINUERLIG DRÆNINGSTILSTAND (Fig. E)

For kontinuerlig dræning skal man bruge en slange med en indvendig diameter på 12 mm og en udvendig diameter på 14 mm~16 mm.

1. Fjern vandtanken.
2. Brug en skruetrækker til at fjerne udkasteren på bagsiden. (E1) Hold proppen (E4) nede med fingeren for at dræne røret (Fig. E2). Fastgør slangen til drænrøret (E5) gennem hullet (Fig. E3).
3. Fjern tankdækslet og sæt vandtanken tilbage i enheden. Sættes tanken ikke tilbage i enheden, vil brændstoftankens kontrollampe lyse og driften kan ikke starte.
4. Røret skal føres hen til drænet uden skarpe knæk. (E6, E7, E8)

BEMÆRK:

1. Vandtanken skal være i korrekt position, inden røret forbindes.
2. Fjern rør, inden vandtanken trækkes ud.
3. Fjern slangen fra hullet til kontinuerlig dræning. Sørg for at sætte tankdækslet på vandtanken og genoptag driften.

4. TØM VANDTANKEN (Fig. D)

1. Når vandtanken er fuld, vil Vand fuld-lampen (C6) lyse, og enheden vil stoppe efter få minutter.

BEMÆRK: Enheden må IKKE flyttes og vandtanken ikke fjernes, mens enheden stadig er i drift, da vandet kan lække, beskadige enheden eller forårsage elektrisk stød.

2. Tag fat i bunden af vandtanken for at fjerne vandtanken (D1) og løft den forsigtigt ud med håndtaget (D2)
3. Fjern først dækslet på vandtanken (D3) og hæld så vandet ud (D4). Rengør vandtanken, sæt dækslet på igen og anbring vandtanken (D5) (D6) i korrekt position.

BEMÆRK:

- Rengør om nødvendigt vandtanken med rent vand. Brug IKKE opløsningsmiddel, slibemiddel eller varmt vand.
- Du må IKKE fjerne eller beskadige flyderen i tanken, da enheden ellers ikke vil fungere korrekt.
- Vandtankens dæksel skal være sat korrekt på.
- Indikatorlampen for fuld vandtank lyser, hvis vandtanken ikke sidder korrekt.

RENGØRING**RENGØRING AF LUFTINDTAGSGITTER (Fig. I)**

Hvis filteret er dækket med støv, vil det påvirke enhedens luftstrøm og ydelse. Det anbefales at kontrollere og rengøre filteret hver 2. uge.

1. Sluk enheden og fjern filteret fra enheden. (I1)
2. Rengør nanosølvfilteret med en støvsuger eller vask det med vand (under 40°C). (I2) Hvis du vasker med vand, skal den tørre helt i skyggen.
3. Sæt filteret på plads igen.

RENGØRINGSOVERFLADE

1. Sluk enheden, vent til blæseren stopper og frakobl enheden fra stikkontakten.
2. Rengør overfladen med en blød fugtig klud.
3. Tør godt efter med en håndklæde efter rengøring.
4. For at undgå at beskadige enheden, undlad at vaske den med vand og lad ikke vand dryppe ind i luftindtaget eller -udløbet.

FORSIGTIG

- Brug aldrig benzin, opløsningsmidler, kemikalier eller polermiddel, da de kan beskadige overfladen.

5. LANGVARIG OPMAGASINERING

Efter hver sæson, eller hvis du ikke har planer om at bruge din enhed i længere tid, anbefales følgende procedurer.

1. Sluk enheden, vent til den stopper og frakobl enheden fra stikkontakten.
2. Rengør og tør vandtanken. Lad enheden dræne i ca. én dag.
3. Rengør filteret og enheden. Overdæk enheden for at forhindre, at den samler støv. Opmagasiner i oprejst stilling på et køligt og tørt sted. Må IKKE udsættes for direkte sollys.

FORSIGTIG

- Hold ALTID enheden i lodret position.
- Anbring IKKE tunge genstande oven på enheden.

6. FEJLFINDING

| SYMPTOM | ÅRSAG | LØSNING |
|---|--|---|
| Enheden virker ikke. | - Strømafbrydelse. - Stikket er tilsluttet forkert. - Indikatoren for fuld tank er tændt. Tanken er fuld. | - Vent til strømforsyningen er tilbage. - Tilslut igen. - Fjern drænvandet fra vandtanken. |
| Enheden affugter ikke. | - Vandtanken er fuld. - Vandtanken er ikke isat korrekt. - Luftfilteret er tilstoppet. - Temperaturen i rummet, hvor affugteren anvendes, er for lav. - Den relative fugtighed i rummet, hvor affugteren anvendes, er for lav. | - Fjern vandet fra vandtanken. - Anbring vandtanken i korrekt position. - Rengør luftfilteret. - Maskinen affugter ikke under 1°C, da det er yderst usandsynligt, at der er fugt at fjerne ved denne temperatur. - Affugteren tørrer ned til den relative målfugtighed, og skifter derefter til kun blæsertilstand, indtil den relative fugtighed kommer over det indstillede punkt igen. |
| Affugteren fungerer, men reducerer ikke den relative fugtighed / der er for lidt vand i vandtanken. | - Huset er for stort. - Der findes for mange fugtkilder. Bad, vask, tørring af tøj og madlavning udleder alt sammen fugt i luften. Opvarmning med butangas kan give for meget fugt i luften for en affugter. - Luftfilteret er tilstoppet, og den reducerede luftstrøm påvirker ydelsen. | - Det anbefales at bruge en affugter med en større kapacitet. - Det anbefales at bruge en affugter med en større kapacitet. Overvej at bruge en anden varmekilde end en butangasvarmer. - Rengør luftfilteret. |
| Affugteren blæser varm luft ud. | - Den tørrede luft føres over et varmeelement, inden den blæses ind i rummet som en del af affugtningsprocessen. | - Dette er normalt, da en affugter ikke er en luftkøler. |
| Affugteren larmer. | - Luftfilteret er tilstoppet eller enheden står på et ujævnt underlag. | - Rengør filteret og/eller anbring affugteren på et fladt underlag. En affugter vil også støje mere på trægulve end på tæpper. |
| Blæseren fortsætter, efter enheden er slukket. | - Blæseren køler den indvendige varmer. | - Dette er normalt, og blæseren vil køre i ca. 2 minutter, efter der trykkes på strømknappen for at slukke enheden. Sluk aldrig enheden på stikkontakten, før blæseren er holdt op med at køre. |
| Lampen for kontrol/lav fugtighed (C7) lyser | - Filteret er tilstoppet - Noget blokerer luftindtaget eller luftudløbet. - Rumfugtigheden er for lav | - Rengør luftindtagsfilteret - Fjern det fra luftindtaget eller luftudløbet. - Vent i ca. 30 minutter til enheden er kølet ned, og kør igen i rummet med en fugtighed på over 35 %. |

INDEN DU RINGER EFTER SERVICE

Følgende er ikke defekter.

| | |
|--|--|
| Der kommer lugt fra affugteren første driftsættelse: | Lugten opstår, da zeolit absorberer lugte fra f.eks. cigaretter, kosmetik og byggematerialer, og ⇒ lugten udledes, når tørremidlet opvarmes. Dette er normalt, vil ikke vare længe og er ikke et tegn på fejl. |
| Behov for hyppigere tømning ved første brug: | I takt med at rummet bliver ⇒ tørrere, vil affugteren indsamle mindre vand. |

7. SPECIFIKATIONER

| | |
|-------------------------|----------------------------|
| MODEL | TD-ZB80 |
| AFFUGTNINGSKAPACITET | 8 L/D (20°C/60 %rh) |
| STRØMKILDE | Enfaset 220 V~240 V, 50 Hz |
| STRØMFORBRUG | 620 W (høj) / 350 W (lav) |
| DRIFTSSTRØM | 2,7 A |
| VANDTANKKAPACITET | 4,0 L |
| DRIFTSTEMPERATUR OMRÅDE | 1°C ~ 40°C |
| MÅL (BxHxD) | 350 x 506 x 240 mm |
| VÆGT | 7,2 kg |

BEGRÆNSET GARANTI

TOYOTOMI CO., LTD. ("TOYOTOMI") garanterer, at alle produkter og alle dele deraf, som sælges af dem, er fri for materiale- og fabriktionsfejl ved normal brug og service, og yder garanti i FIREOGTYVE (24) MÅNEDER fra leveringsdatoen til den oprindelige køber ved detailsalg iht. følgende vilkår og betingelser:

HVAD ER DÆKKET:

Produkter eller dele deraf med materiale- eller fabriktionsfejl.

HVAD ER IKKE DÆKKET:

Denne garanti dækker ikke nogen fejl, som skyldes andres uagtsomhed; undladelse af installere, betjene eller vedligeholde apparatet i overensstemmelse med anvisningerne (betjenings- og vedligeholdelsesanvisninger medfølger alle nye enheder); ufornuftig brug, uheld, ændring, brug af uautoriserede eller ikke-standardiserede TOYOTOMI-dele og -tilbehør; elektrisk fejlfunktion, dvs. som følge af store overspændinger, kortslutning, osv.; forkert installation; eller reparation af andre end en servicefacilitet, der er anbefalet af TOYOTOMI.

HVEM ER DÆKKET:

Den oprindelige køber ved detailsalg.

HVAD VI VIL GØRE:

TOYOTOMI vil, efter eget skøn, enten gratis reparere eller erstatte alle defekte dele, der er dækket af denne begrænsede garanti, hvis du selv afleverer den hos din nærmeste autoriserede leverandør eller forhandler af TOYOTOMI.

HVAD DU SKAL GØRE FOR GARANTISERVICE:

Du skal returnere det defekte produkt eller del til en autoriseret leverandør eller forhandler af TOYOTOMI med denne BEGRÆNSEDE GARANTI. Hvis service ikke er tilgængelig lokalt, kontakt vores KUNDEAFDELING på:

TOYOTOMI EUROPE SALES B.V.

E-MAIL: info@toyotomi.eu

INTERNET: www.toyotomi.eu

DET ANFØRTE BESKRIVER ALLE TOYOTOMIS FORPLIGTELSER OG ANSVAR VEDRØRENDE KVALITETEN AF PRODUKTER, LEVERET AF DEM. ALLE ANDRE GARANTIER, DIREKTE ELLER INDIREKTE, HERUNDER GARANTIER FOR SALGBARHED ELLER EGNETHED TIL ET BESTEMT FORMÅL ER FRASKREVET. TOYOTOMI KAN IKKE HOLDES ANSVARLIG FOR TAB AF ANVENDELSE AF PRODUKTET, GENER, TAB ELLER ANDRE SKADER, DIREKTE ELLER SOM FØLGE AF BRUGEN AF, ELLER MANGLENDE EVNE TIL AT BRUGE, PRODUKTET, ELLER SKADER FRA ELLER SOM SKYLDES DEFEKTER I PRODUKTET.

Ingen andre end TOYOTOMI har bemyndigelse til at forlænge eller ændre vilkårene i denne begrænsede garanti.

Visse stater tillader ikke udeladelse eller begrænsning af hændelige skader eller følgeskader, eller begrænsning af hvor længe en indirekte garanti varer, så disse begrænsninger eller udelader gælder muligvis ikke dig. Denne begrænsede garanti giver dig specifikke lovmæssige rettigheder, og du har muligvis også andre rettigheder, som varierer fra stat til stat.

SAMMANFATTNING

Tanken bakom enheten är att avfukta hela säsongen, även om det är vinter. Modellen har torkmedel i stället för kompressor. Följaktligen påverkas denna modell inte av rumstemperatur. Dessutom använder avfuktaren av torkmedelstyp inte skadliga gaser, så den klassas som miljövänlig.

Det torkar luften så att du kan bo bekvämt även när det är fuktigt eller regnigt ute. Även dina möbler, tyger och kläder hålls i gott skick, och det är lätt att torka tvätten och torka den snabbt. Torkmedeltypen är tystare än kompressortypen och därför kan du torka tvätten på natten och den kommer att torkas på morgonen. Off- Timer funktion som kan ställas in på 2 timmar, 4 timmar, eller 8 timmar gör att du kan använda enheten mer bekvämt, särskilt på natten.

OPERATIVA FUNKTIONER

FUNKTIONER

1. KOMPRESSORLÖS AVFUKTARE

Denna modell använder torkmedelsrotorteknologi och är miljövänlig utan skadliga gaser och tyst i drift.

2. AUTOMATISK DRIFT

När önskad funktion har ställts in, kontrollerar fuktsensorn rummets luftfuktighet automatiskt. Och den sparas så länge den är ansluten till vägguttaget. I händelse av strömavbrott kommer apparaten att fortsätta att arbeta med den valda inställningen före strömavbrottet.

3. TVÄTTLÄGE

Det här läget kan snabbt torka hängande tvätt i rummet. Du kan välja läget Turbo Laundry Mode eller Saving Laundry Mode beroende på mängden tvätt.

4. AUTO SWING LUFTINSLÄPP

Du kan välja 3 vinklar, vidvinkel (180°), främre vinkel (80°), eller uppåtgående vinkel (100°). Luftinsläppsläget auto swing är användbar för att påskynda jämn torkning.

5. DRIFT AV TIMER

Enheten stängs av efter den angivna tidsperioden (2, 4, 8 timmar).

6. ANTIBAKTERIELLT FILTER

Nano-silver inbäddat i filtret dödar bakterier vid kontakt, förbättrar kvaliteten på luften i ditt hem eller på ditt kontor.

1. BESKRIVNING

Fig. A FRAMSIDA

- A1 Bärhandtag
- A2 Vid/punktjusterbart luftinsläpp
- A3 Luftintaggrill (Förfilter)
- A4 Luftintag

Fig. B BAKSIDA

- B1 Luftintag
- B2 Luftuttag
- B3 Manöverpanel
- B4 Vattentank
- B5 Vattenpelare
- B6 Vattenutloppsavlopp för kontinuerlig dräneringsdrift

B7 Nätssladd

B8 Stickkontakt

Fig. C DRIFTSPANEL

- C1 Strömbrytare
- C2 Auto Dry-knapp
- C3 Laundry Mode-knapp
- C4 Swing-knapp
- C5 Off Timer-knapp
- C6 Full-indikator
(När tanken är påfylld med vatten tänds lampan.)
- C7 Indikatorlampa för kontroll/låg fuktighet
- C8 Timer indikatorlampan (2,4,8 timmar)
- C9 Vid luftintaginställning kontrollampa
- C10 uppåtgående luftintaginställning kontrollampa
- C11 Främre luftintagsinställning
- C12 Turbo laundry mode-lampa
- C13 Saving laundry mode-lampa
- C14 High dry mode luftlägeslampa
- C15 Low dry mode luftflödeslampa
- C16 Auto dry mode luftflödeslampa

2. SÄKERHETSTIPS

VIKTIGT

- Läs bruksanvisningen noga före drift.
- Enheten bör användas när rumstemperaturen är mellan 1°C och 40°C.

⚠ VARNING

Denna apparat är avsedd att endast användas i hemmiljö. All annan användning är inte rekommenderad av tillverkaren och kan orsaka brand, elektriska stötar eller annan skada på personer eller egendom. Vid användning av elektriska apparater, bör de grundläggande säkerhetsföreskrifterna alltid följas:

- Använd INTE enheten med en skadad sladd eller kontakt, efter att den krånglat eller har tappats eller skadats på något sätt. Returnera till en auktoriserad serviceverkstad för undersökning och reparation.
- Denna enhet bör alltid hållas i upprätt läge för att undvika skador. Placera enheten på en plan och stabil yta.
- Kontrollera hushållsspänningen så att den matchar enheternas specifikation före användning.
- Kontrollera att luftintag och utlopp inte blockeras eller täckas.
- Placera INTE apparaten för nära gardiner eller andra föremål - minimiavstånd 40 cm.
- Vid användning av "Tvättläge" för att påskynda torkning av våta kläder i rummet, placera kläderna på ett säkert avstånd från enheten för att förhindra vatten från att falla på enheten.
- Placera ALDRIG föremål ovanpå enheten och täck den inte med någon typ av material under användning.
- Denna produkt är ENDAST avsedd för hemmabruk och lätt kontorsanvändning och inte för kommersiellt, industriellt eller utomhusbruk.
- För att skydda mot elektriska stötar, sänk INTE ner enheten, kontakten eller sladden i vatten eller spraya med vätskor.
- Koppla ALDRIG ur nätssladden utan att trycka på "Power" knappen först, eftersom det kan skada enheten.
- Dra ALLTID ur sladden när den inte används eller flyttas. Om du vill koppla från strömförsörjningen, ta tag i kontakten och dra den ur vägguttaget. Dra ALDRIG i sladden.
- Töm ALLTID vattenbehållaren innan du förvarar enheten.
- Användning av avfuktaren framför ett varmt element kan resultera i att avfuktaren inte samlar någon vatten på grund av värmen från elementet.
- Kör INTE nätkabeln under mattor, mattor eller golvmattor av något slag. Placera sladden på avstånd från områden där någon kan snubbla över den.
- Använd eller förvara ALDRIG enheten i direkt solljus.
- Om du vill reparera enheten, ta den till en kvalificerad servicetekniker. Reparationer som utförs av okvalificerade personer kan orsaka skador på enheten eller skada på person eller egendom och garantin.
- Undvik om möjligt att använda en förlängningskabel eftersom de kan överhettas och orsaka risk för brand. Använd endast en förlängningsladd efter att du kontrollerat att den är i perfekt skick.
- ANVÄND INTE enheten utan luftfilter och se till att filtret hålls rena för att undvika fel och ogiltig garanti.
- Den här anordningen kan användas av barn från 8 år och uppåt och personer med nedsatt fysisk, sensorisk eller mental förmåga eller bristande kunskaper om de erhållit övervakning eller instruktioner avseende användning av denna enhet på ett säkert sätt och förstår riskerna.
- Apparaten är inte någon leksak.
- Rengöring och användarunderhåll får inte utföras av barn utan övervakning.

3. DRIFT

INSTALLATION AV ENHETEN (Fig. F)

- Placera enheten i ett upprätt läge på en stabil, plan yta.
- Se till att enheten placeras på ett säkert avstånd från en vägg eller möbler (Fig. F1).
- Håll kläder på ett säkert avstånd om 40 cm från enhetens luftutsläpp på enheten för att förhindra att vatten droppar in i enheten.

⚠ FÖRSIKTIGHET!

- Håll lämpligt avstånd som ovan. (F2)
- För INTE in små föremål i enheten då dessa kan skada den och orsaka fara. (F3)
- Ta INTE bort vattenbehållaren när du kör för att undvika vattenläckage. (F4)

- Se till att vattenbehållaren är monterad på rätt sätt, om tanken är full eller inte är på plats, "Full" tänds och maskinen stannar. (F4)

AUTO DRY MODE DRIFTSSTEG:

1. PRESS PÅ "POWER" -KNAPPEN (C1) TILL "ON".

2. TRYCK PÅ KNAPPEN AUTO DRY.

Tryck på "Auto Dry" -knappen (C2) för att ställa in önskat läge "Auto", "Low" eller "High".

AUTO-läge (C16)

Håller rummet vid en behaglig relativ fuktighet (RH)-nivå. Enheten håller automatiskt rummets luftfuktighet på 45 ~ 50% RH med automatisk hög eller låg fläkthastighet.

LOW läge (C15)

Kör vid låg fläkthastighet.

Enheten avfuktar automatiskt vid låg fläkthastighet och låg värmare.

HIGH läge (C14)

Supertorr läge för att förhindra kondens.

Enheten håller automatiskt rummets luftfuktighet på 35 ~ 40% relativ luftfuktighet för att förhindra kondens i rummet.

3. TRYCK PÅ SWING KNAPP

Tryck på "Swing" -knappen (C4) för att välja önskad luftspjällsvinkel (C9, C10, C11). Se detaljerade instruktioner nedan.

4. STOPPA DRIFT

Tryck på knappen "Power" (C1) och alla lampor släcks.

FÖRSIKTIGHET: Efter att apparaten stängts av med med strömbrytaren, kommer fläkten att fortsätta att gå under två minuter. Detta är ett normalt förfarande och hjälper till att kyla och skydda de inre delarna. Under dessa två minuter, INTE bort stickkontakten ur vägguttaget utlopp; vänta för fläkten att sluta köra.

LAUNDRY DRY MODE DRIFTSSTEG:

1. PRESS PÅ "POWER" -KNAPPEN (C1) TILL "ON".

2. TRYCK PÅ KNAPPEN "LAUNDRY MODE".

Tryck på knappen (C3) "Laundry Mode" för att ställa in önskat läge "Spara" eller "Turbo".

Läget SPARA (C13)

Lämplig för när tvättmängden är liten eller på sommaren för att spara ström.

Enheten växlar automatiskt för att ge varm luft eller fläkluft beroende på rumstemperatur. Hjälper till att torka kläder med låg effekt och lägre rumstemperatur.

TURBO-läge (C12)

Lämplig för när tvättmängden är stor eller på vintern för att torka kläder effektivt.

Enheten ger automatiskt uppvärmd luft för att torka kläder snabbare med högre effekt.

3. TRYCK PÅ "SWING"- KNAPPEN

Tryck på "Swing" -knappen (C4) för att välja önskad luftspjällsvinkel. (C9, C10, C11). Se detaljerade instruktioner nedan.

4. STOPPA DRIFT

Tryck på knappen "Power" (C1) och alla lampor släcks.

FÖRSIKTIGHET: Efter att apparaten stängts av med med strömbrytaren, kommer fläkten att fortsätta att gå under två minuter. Detta är ett normalt förfarande och hjälper till att kyla och skydda de inre delarna. Under dessa två minuter, INTE bort stickkontakten ur vägguttaget utlopp; vänta för fläkten att sluta köra.

AUTO SWING LUFTSPJÄLL (Fig. G)

Genom att trycka på knappen "Swing" (C4), välj önskad vinkel för luftspjället och indikatorlampan för luftspjället tänds. "Framsida" → "Upp" → "Vid" → Håll (Lampa av) → "Framsida"

FRAMSIDA (G1).....Det automatiska luftspjället svänger i en framåtgående vinkel ca.. 80°

UPP (G2).....Det automatiska luftspjället svänger i en uppåtgående vinkel ca.. 100°

VID (G3).....Det automatiska luftspjället svänger i en vid vinkel ca. 180°

HOLDDet automatiska luftspjället slutar svänga när du trycker på "Swing"-knappen och släcker lampan.

De automatiska swingluftspjällena är användbara för att påskynda torkning av tvätt, garderober och väggar, tack vare det faktum att luftflödet träffar ytan av vad det är som du vill torka kommer att påskynda torkningen eftersom vattenmolekylerna kommer att tvingas ut snabbare.

VID/PUNKTJUSTERBART LUFTSPJÄLL (Fig.H)

Om du väljer det "Framre" swingluftspjället och justera bladen utåt (H1), kommer luftflödet att ändras till punktblåsning.

Om du väljer "Framre" swingluftspjället och justerar bladen inåt (H2), kommer luftflödet att ändras till vidblåsning.

Om du väljer det "Uppåtgående" swingluftspjället och justerar bladen utåt (H1), kommer luftflödet att ändras till vidblåsning.

Om du väljer "Uppåtgående" swingluftspjäl och justerar bladen inåt

(H2), kommer luftflödet att ändra till punktblåsning.

Om du väljer "Vid", kommer swingluftspjällets luftriktningen att ändras beroende på spjällets vinkel.

DRIFT AV TIMER

Automatisk avstängning:

Tryck på "Off Timer"-knappen (C5) för att välja önskad körtid (2,4 eller 8 timmar) (C8). Enheten stängs av automatiskt vid slutet av den valda tidsperioden. När tiden räknas ner kommer lampan (4 eller 2 timmar) att ange den återstående tiden.

När ingen timer är inställd (lampan är släckt), kommer enheten köras kontinuerligt om vattentanken redan är full.

2timmar →4timmar →8timmar →Kontinuerlig (lampa OFF) →2timmar

LÄGET Kontinuerlig dränering (Fig. E)

För kontinuerlig dränering, använd en slang med en innerdiameter på 12mm och ytterdiameter 14mm ~ 16mm

1. Ta bort vattentanken.

2. Använd en skruvmejsel för att ta bort knockout på baksidan. (E1) trycka ner och hålla i proppen (E4) för dräneringsröret med fingret (Fig. E2). Fäst slangen till dräneringsröret (E5) genom hålet (Fig. E3).

3. Ta bort tanklocket och återställ vattentanken i enheten.

Om tanken inte är återställd i enheten, kommer lampan full tank att tändas och enheten kan inte startas.

4. Slangen bör leda till avloppet utan skarpa böjar. (E6, E7, E8)

OBS!

1. Vattenbehållaren måste vara i rätt läge före slangen.

2. Ta bort slangen innan du drar ut vattenbehållaren.

3. Ta bort slangen från den kontinuerliga dräneringshålet. Var noga med att sätta tanklocket på vattentanken och starta driften.

4. TÖM VATTENTANKEN (Fig. D)

1. När vattentanken är full, kommer hela lampan (C6) tänds och enheten stannar på några minuter.

OBS! Flytta INTE enheten eller ta bort vattenbehållaren, om enheten är fortfarande i drift, eftersom vatten kan läcka, skada enheten eller orsaka en elektrisk stöt.

2. Ta bort vattenbehållaren genom att fatta tag i botten av skopan (D1) och lyft försiktigt med handtaget (D2).

3. Ta bort locket från vattentanken först (D3), håll sedan bort vattentanken (D4). Rengör vattentanken och sätt tillbaka locket och vattentanken (D5) (D6) till rätt position.

OBS!

- Rengör vattentanken med rent vatten om det behövs. ANVÄND INTE lösningsmedel, slipmedel eller varmvatten.

- Ta INTE bort eller skada flottören i tanken, eftersom enheten inte fungerar korrekt då.

- Vattentanklocket måste vara korrekt monterat i rätt position.

- Vattenindikatorlampan tänds om vattentanken inte är i korrekt position.

RENGÖRING

RENGÖRING AV LUFTINTAGSGALLER (Fig. I)

Om filtret är täckt med damm, kommer luftflödet och enhetens prestanda påverkas. Det rekommenderas att kontrollera och rengör luftfiltret varannan vecka.

1. Stäng av enheten och ta bort filtret från enheten. (I1)

2. Rengör nano-silverfiltret med en dammsugare eller tvätta med vatten (under 40°C). (I2) Om du tvättar med vatten, torka den helt igenom på det skuggade området.

3. Byt filtret på plats.

RENGÖRING AV YTA

1. Stäng av enheten, vänta tills fläkten stannar och dra ur vägguttaget.
2. Rengör genom att torka med en fuktig duk.
3. Torka ordentligt med en handduk efter rengöring.
4. För att undvika skador, tvätta inte enheten med vatten, och låt inte vatten droppa in i luftintaget eller utloppet.

⚠ FÖRSIKTIGHET!

- Använd ALDRIG bensin, lösningsmedel, kemiska produkter eller polish eftersom de kan skada ytan.

5. LÅNGVARIG FÖRVARING

Vid slutet av varje säsong, eller när du inte planerar att använda apparaten under en längre tidsperiod, rekommenderas följande förfaranden.

1. Stäng av enheten, vänta tills fläkten stannar och dra ur vägguttaget.
2. Rengör och torka vattentanken. Låt enheten rinna av i cirka en dag.
3. Rengör filtret och enheten. Täck enheten för att förhindra den från att samla damm. Förvara upprätt på en mörk, sval plats. Utsätt EJ för direkt solljus.

⚠ FÖRSIKTIGHET

- Förvara ALLTID enheten i vertikalt läge.
- Placera INTE tunga föremål ovanpå enheten.

6. FELSÖKNING

| SYMPTOM | ORSAK | LÖSNING |
|---|---|--|
| Enheten fungerar inte. | - Strömavbrott. - Kontakten har anslutits felaktigt. - Full tank-indikatorn är PÅ Tanken är full. | - Vänta tills strömmen är på igen. - Anslut den på nytt. - Ta bort avtappningsvatten från vattenbehållaren. |
| Enheten avfuktar inte. | - Vattentanken är full. - Vattentanken har inte satts tillbaka korrekt. - Luftfiltret är igensatt. - Temperaturen i rummet där avfuktaren är i drift är för låg. - Den relativa luftfuktigheten i rummet där avfuktaren är i drift är för låg. | - Ta bort vattnet från vattenbehållaren. - Placera vattentanken i korrekt position. - Rengör luftfiltret. - Maskinen avfuktar inte under under 1C är det högst osannolikt vid denna temperatur att det finns någon fukt för att avlägsna alla fall. - Avfuktaren torkar ner till den inställda relativa luftfuktigheten och går sedan in i endast fläktläge tills den relativa luftfuktigheten går över börvärdet på nytt. |
| Avfuktaren fungerar, men minskar den relativa luftfuktigheten otillräckligt/det finns lite vatten i vattentanken. | - Huset är för stort. - Det finns för många fuktkällor. Bad, tvätt, torkande kläder och matagning är aktiviteter som tillför fukt till luften. Calor gasuppvärmning kan tillföra för mycket fukt i luften för en avfuktare. - Luftfiltret är blockerat och det minskade luftflödet påverkar prestandan. | - Vi rekommenderar att använda en avfuktare med större kapacitet. - Vi rekommenderar att använda en avfuktare med större kapacitet. Överväg att använda en annan värmekälla än en gasolvärmare. - Rengör luftfiltret. |
| Avfuktaren blåser ut varmluft. | - Den torkade luften passerar över ett värmelement innan den blåses in i rummet som en del av avfuktningprocessen. | - Detta är normalt, en luftfuktare är inte en luftkylare. |
| Avfuktaren är bullrig. | - Luftfiltret är blockerat eller enheten är på en ojämn yta. | - Rengör filtret och eller placera avfuktaren på ett plant underlag. En avfuktare kommer också att vara bullrigare på trägolv än på matta. |
| Fläkten går efter att enheten stängts av. | - Fläkten kyler den interna värmaren. | - Detta är normalt och fläkten kommer att pågå i cirka två minuter efter det att du trycker på strömknappen för att stänga av enheten. Slå aldrig av enheten på väggen tills fläkten har stannat. |
| Kontrollera/Låg luftfuktighetslampa (C7) tänds | - Luftfiltret är igensatt. - Något stängs på luftintaget eller luftutsläppet. - Rummets luftfuktighet är låg. | - Rengör luftintagsfiltret - Ta bort den från luftintaget och luftuttaget. - Vänta i cirka 30 minuter för att kyla ner enheten och köra igen i rummet med en luftfuktighet på över 35 %. |

INNAN DU KONTAKTAR SUPPORTEN

Följande är inget fel.

| | |
|--|---|
| Lukt från luftfuktare när de första e-byggmaterial, och disanvändning: | ⇒ Lukten uppstår eftersom Zeolit absorberar lukter från föremål cigaretter, kosmetik och laddas när torkmedlet värms upp. Det är normalt, varar inte länge och är inte ett tecken på fel. |
| Behöver tömmas ofta under den första användningen: | ⇒ I och med att rummet blir torrare, samlar luftavfuktaren in mindre vatten. |

7. SPECIFIKATIONER

| | |
|----------------------|---------------------------|
| MODELL: | TD-ZB80 |
| AVFUKTANDE KAPACITET | 8 L/D (20°C/60%rh) |
| STRÖMKÄLLA | Enfasig 220V~240V, 50Hz |
| STRÖMFÖRBRUKNING | 620 W (Hög) / 350 W (Låg) |
| MÄRKSTRÖM | 2.7 A |
| VATTENTANKKAPACITET | 4.0 L |
| DRIFTSTEMP. OMRÅDE | 1°C ~ 40°C |
| MÅTT (BxHxD) | 350 x 506 x 240 mm |
| VIKT | 7.2 kg |

BEGRÄNSAD GARANTI

TOYOTOMI CO., LTD. ("TOYOTOMI") garanterar varje produkt andra delar därav säljs av den för att vara fria från defekter i eller utförande vid normal användning och service i TJUGO FYRA (24) månader från leveransdatum till den ursprungliga köparen i detaljhandeln under förutsättning att följande villkor och förutsättningar:

TÄCKER: Produkten eller delar därav som är defekta i material eller utförande.

TÄCKS INTE:

Denna garanti gäller inte något fel på grund av vårdslöshet av andra; underlåtenhet att installera, använda eller underhålla enheten i enlighet med gällande instruktioner (drifts- och underhållsanvisning är utrustade med varje ny enhet); orimlig användning, olyckor, ändring, användning av otillåtna eller icke-standardiserade TOYOTOMI-delar och tillbehör; elektriskt fel, det vill säga, som beror på stora överspänningar, kortslutning, etc.; felaktig installation; eller reparation av någon annan än en serviceverkstad specificerad av TOYOTOMI.

VEM SOM TÄCKS: Den ursprungliga köparen.

VAD VI SKA GÖRA: TOYOTOMI kommer antingen reparera eller byta ut, på sitt yttrande alla defekta delar kostnadsfritt som omfattas av denna begränsade garanti på en carry-in basis, till närmaste bemyndigad återförsäljare eller distributör av Toyotomi.

VAD DU MÅSTE GÖRA FÖR GARANTISERVICE: Du måste returnera den defekta produkten eller delen till någon auktoriserad återförsäljare av TOYOTOMI med denna BEGRÄNSADE GARANTI. Om service inte är tillgänglig lokalt, kontakta vår KUNDSERVICEAVDELNING på:

TOYOTOMI EUROPE SALES B.V.E-POST: info@toyotomi.euINTERNET: www.toyotomi.eu

FÖREGÅENDE UTTRYCKER ALLA TOYOTOMIS FÖRPLIKTELSE OCH SKULDER AVSEENDE PRODUKTENS KVALITET ALLA ANDRA GARANTIER, UTTRYCKLIGA ELLER ANTYDDA, INKLUSIVE GARANTIER FÖR FÖRSÄLJNING ELLER LÄMPLIGHET FÖR ETT VISST SYFTE FRISKRIVS. TOYOTOMI ANSVARAR INTE FÖR FÖRLUST AV ANVÄNDNING AV PRODUKTEN, INCONVENIENCE, FÖRLUST ELLER ANDRA SKADOR, DIREKT ELLER FÖLJD AV, ANVÄNDNING AV ELLER OFÖRMÅGA ATT ANVÄNDA PRODUKTEN ELLER SKADOR TILL FÖLJD AV ELLER MED HÄNSYN TILL SKADOR PÅ PRODUKTEN.

Ingen annan än TOYOTOMI har rätt att förlänga eller ändra villkoren för denna begränsade garanti på något sätt.

Vissa stater tillåter inte uteslutning eller begränsning av tillfälliga eller följdskador eller begränsningar på hur länge en uttrycklig garanti varar, så dessa begränsningar eller uteslutningar kanske inte gäller dig. Denna begränsade garanti ger dig specifika juridiska rättigheter och du kan också ha andra rättigheter som varierar från land till land.

TOYOTOMI CO., LTD.

5-17, Momozono-cho, Mizuho-ku,
Nagoya, 467-0855 Japan

www.toyotomi.jp